

# USAI CYLINDER 3

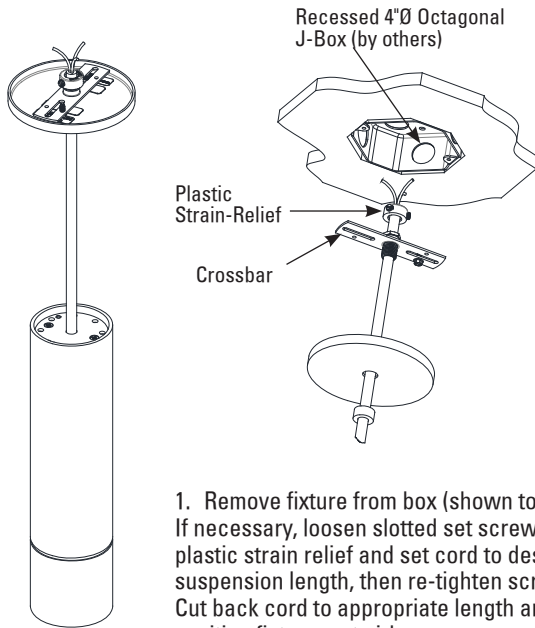
## INSTALLATION INSTRUCTIONS

### Cable Mount and Surface Mount

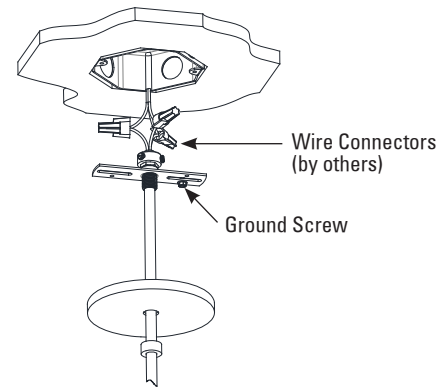
#### CAUTION READ BEFORE INSTALLATION

- Retain these instructions for future reference. This product must be installed by a person familiar with the construction and operation of the product and the hazards involved, in accordance with applicable NEC code.
- Switch off main power before beginning installation.
- Install per national installation and accident prevention regulations.
- Clearance between sides of luminaire and parts of building to be 1/2 inch minimum; clearance to insulating materials to be 3 inch minimum, unless luminaire is IC rated.
- Fixtures must be installed in applications where the ambient temperature does not exceed 40° C during normal operation.
- DO NOT connect or disconnect LED board wire connector when the fixture is energized. This may result in permanent damage to the LED array.
- Warranty claims will not be accepted if incorrect driver or light engine is used.

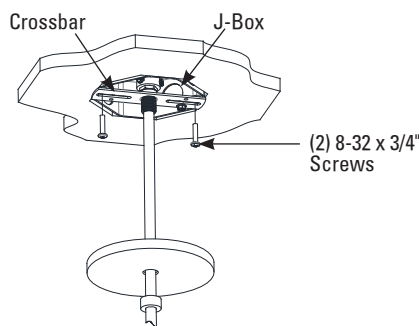
#### C2 and C3 CABLE MOUNT TO RECESSED JUNCTION BOX



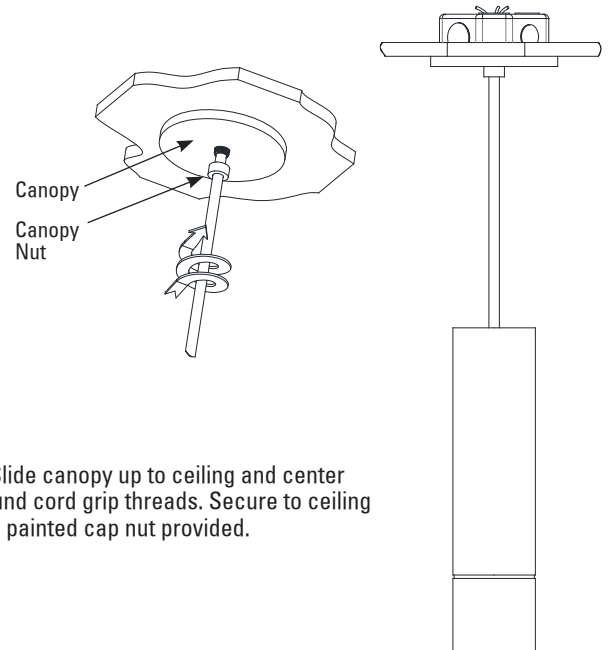
1. Remove fixture from box (shown to left). If necessary, loosen slotted set screws on plastic strain relief and set cord to desired suspension length, then re-tighten screws. Cut back cord to appropriate length and position fixture up to j-box.



2. With cord positioned near j-box, make wire connections and push wires and connectors into j-box. Use ground screw provided on crossbar to ground fixture.



3. Mount crossbar to j-box with (2) 8-32 x 3/4" screws provided. Ensure connections are inside j-box.



4. Slide canopy up to ceiling and center around cord grip threads. Secure to ceiling with painted cap nut provided.

# USAI CYLINDER 3

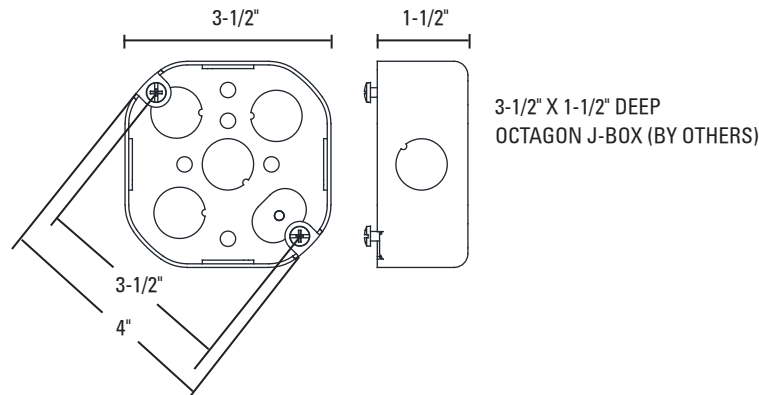
## INSTALLATION INSTRUCTIONS

### Cable Mount and Surface Mount

### CAUTION READ BEFORE INSTALLATION

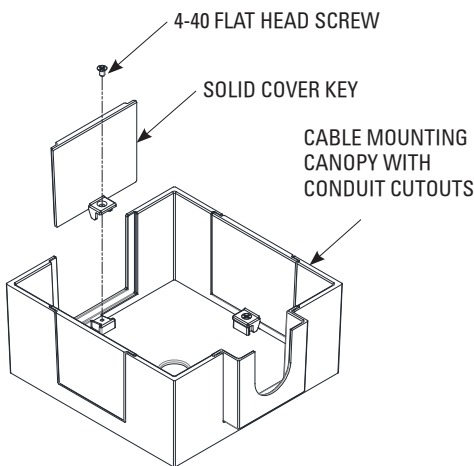
- Retain these instructions for future reference.. This product must be installed by a person familiar with the construction and operation of the product and the hazards involved, in accordance with applicable NEC code.
- Switch off main power before beginning installation.
- Install per national installation and accident prevention regulations.
- Clearance between sides of luminaire and parts of building to be 1/2 inch minimum; clearance to insulating materials to be 3 inch minimum, unless luminaire is IC rated.
- Fixtures must be installed in applications where the ambient temperature does not exceed 40° C during normal operation.
- **DO NOT** connect or disconnect LED board wire connector when the fixture is energized. This may result in permanent damage to the LED array.
- Warranty claims will not be accepted if incorrect driver or light engine is used.

### J2 and J3 MOUNT TO A STANDARD 4"Ø OCTAGONAL JUNCTION BOX (BY OTHERS)

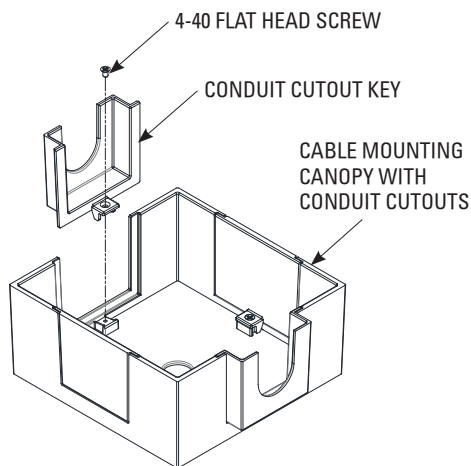


### INSTALLING CONDUIT CUTOUT KEYS

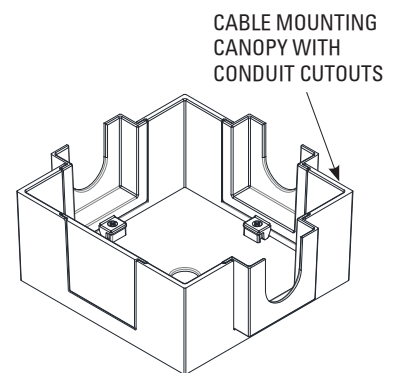
Canopy is shipped with (1) conduit cutout key and (3) solid cover keys installed. Revise canopy configuration for your project with these steps.



1. Determine what sides need to have conduit cutout keys based off of ceiling conduit layout.
2. Remove 4-40 flat head screw that is holding in the solid cover key that needs to be removed. Remove solid cover key and discard.



3. Attach conduit cutout key where solid cover key was removed using 4-40 flat head screw.



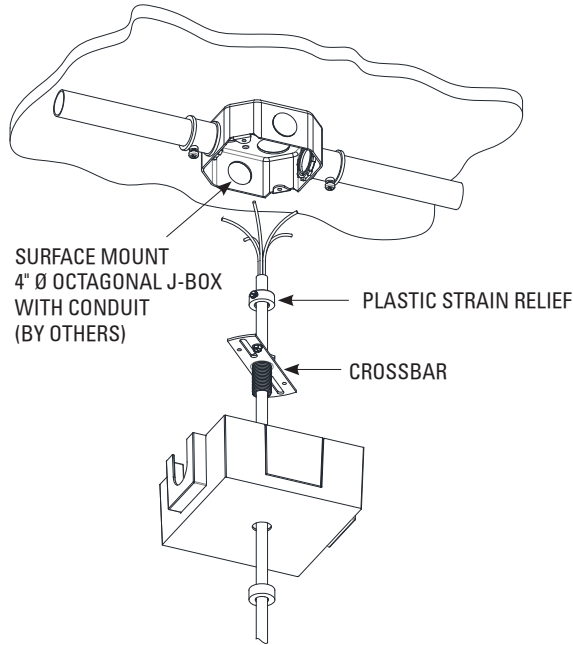
4. Repeat steps 2 and 3 for all sides that need to have conduit cutout keys.

# USAI CYLINDER 3 INSTALLATION INSTRUCTIONS Cable Mount and Surface Mount

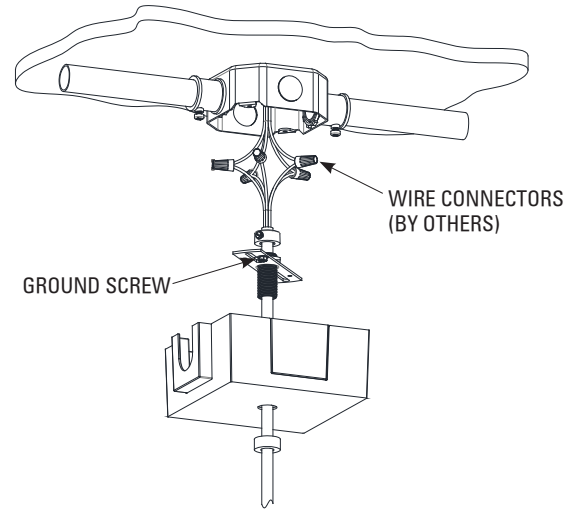
## CAUTION READ BEFORE INSTALLATION

- Retain these instructions for future reference.. This product must be installed by a person familiar with the construction and operation of the product and the hazards involved, in accordance with applicable NEC code.
- Switch off main power before beginning installation.
- Install per national installation and accident prevention regulations.
- Clearance between sides of luminaire and parts of building to be 1/2 inch minimum; clearance to insulating materials to be 3 inch minimum, unless luminaire is IC rated.
- Fixtures must be installed in applications where the ambient temperature does not exceed 40° C during normal operation.
- DO NOT connect or disconnect LED board wire connector when the fixture is energized. This may result in permanent damage to the LED array.
- Warranty claims will not be accepted if incorrect driver or light engine is used.

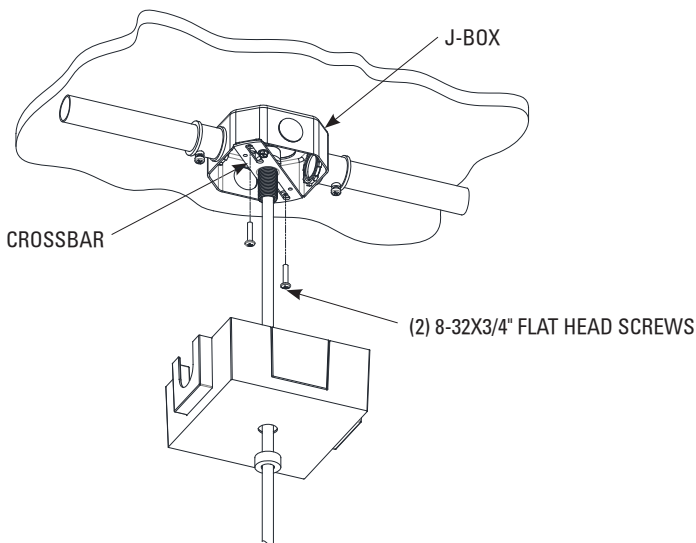
### J2 AND J3 MOUNTING: CABLE MOUNT WITH CONDUIT CUTOUT CANOPY



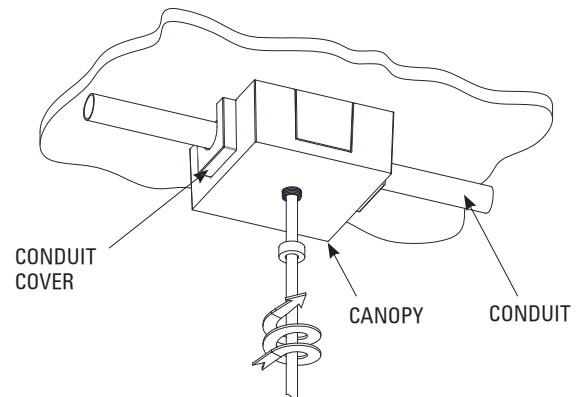
1. Remove fixture from box. If necessary, loosen slotted set screws on plastic strain relief and set cord to desired suspension length, then re-tighten screws. Cut back cord to appropriate length and position fixture up to J-box.



2. With cord positioned near j-box, make wire connections and push wires and connectors into j-box. Use ground screw provided on crossbar to ground fixture.



3. Mount cross bar to j-box with (2) 8-32x3/4" screws provided. Ensure connections are inside box.



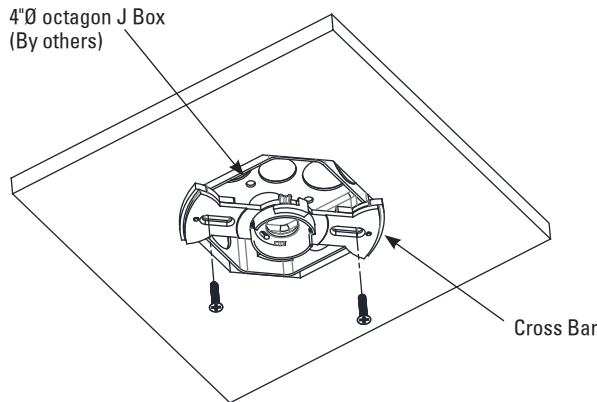
4. Slide canopy up to ceiling making sure to have the conduit covers slide over 1/2" or 3/4" conduit (by others) and center around cord grip threads. Secure to ceiling with painted cap nut provided.

# USAI CYLINDER 3 INSTALLATION INSTRUCTIONS Cable Mount and Surface Mount

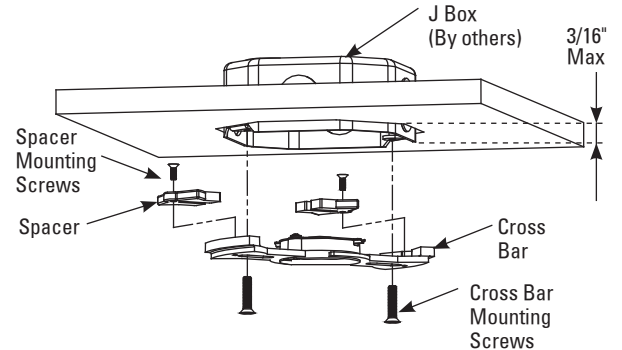
## CAUTION READ BEFORE INSTALLATION

- Retain these instructions for future reference. This product must be installed by a person familiar with the construction and operation of the product and the hazards involved, in accordance with applicable NEC code.
- Switch off main power before beginning installation.
- Install per national installation and accident prevention regulations.
- Clearance between sides of luminaire and parts of building to be 1/2 inch minimum; clearance to insulating materials to be 3 inch minimum, unless luminaire is IC rated.
- Fixtures must be installed in applications where the ambient temperature does not exceed 40° C during normal operation.
- DO NOT connect or disconnect LED board wire connector when the fixture is energized. This may result in permanent damage to the LED array.
- Warranty claims will not be accepted if incorrect driver or light engine is used.

## SM - SURFACE MOUNT INSTALLATION

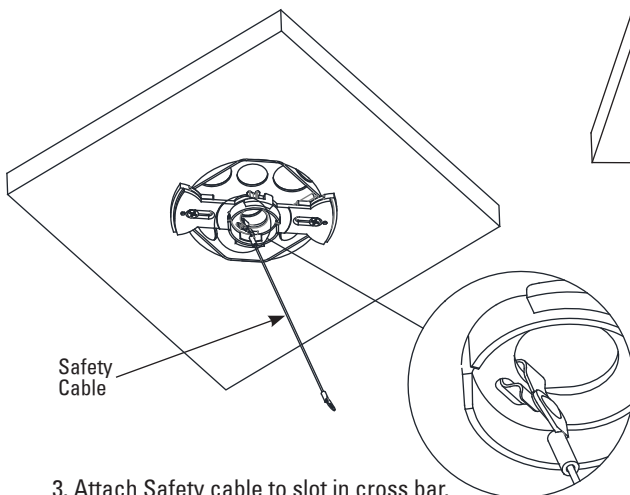


1. Attach cross bar to junction box (by others) with 2 flat head screws provided.

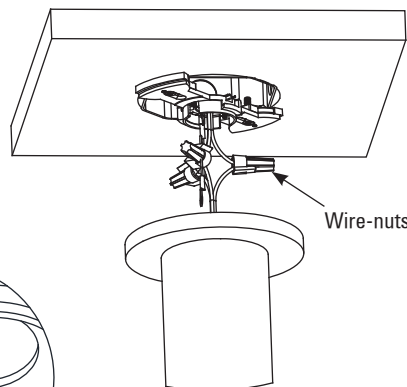


2. If the J Box is below the ceiling panel, spacers on the cross bar can be removed to compensate.

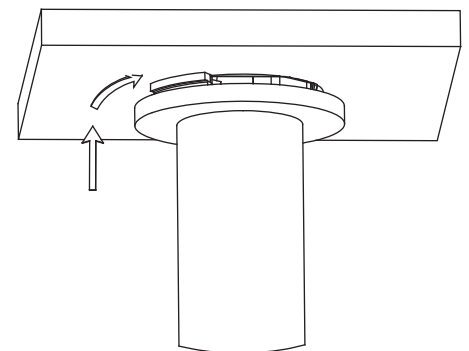
Remove 2 screws and 2 spacers, from the cross bar and mount cross bar to J box. J box maximum overlap is 3/16"



3. Attach Safety cable to slot in cross bar.



4. Make wire connection with wire-nuts (by others). Push wire-nuts into junction box.



5. Push fixture to ceiling and lock with clockwise 1/4 turn. Make sure fixture is in locked position