

USAI CYLINDER 3

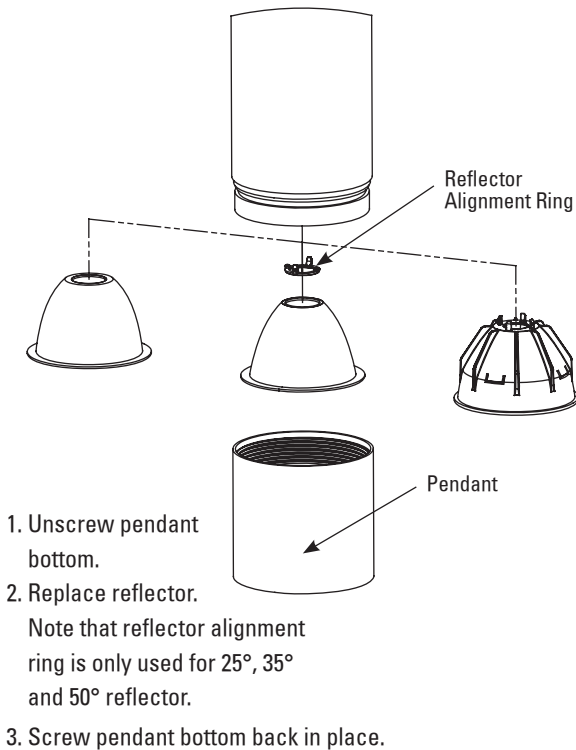
SERVICE INSTRUCTIONS

Cable Mount and Surface Mount

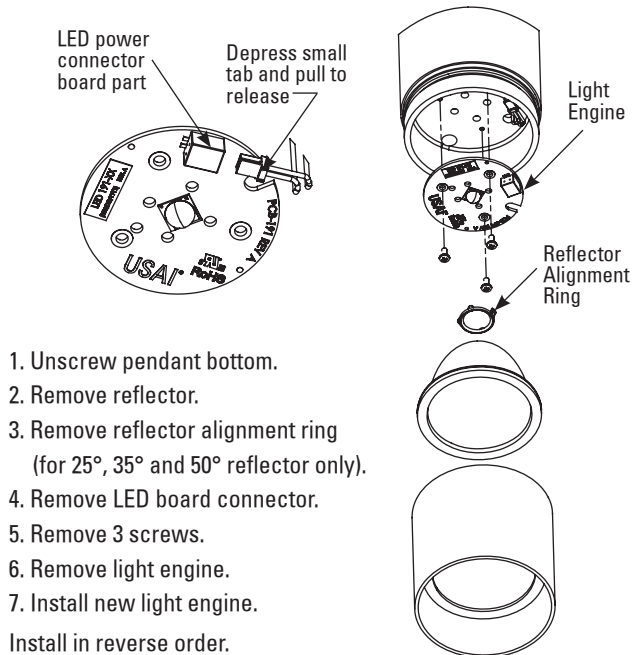
CAUTION READ BEFORE INSTALLATION

- Retain these instructions for future reference. This product must be installed by a person familiar with the construction and operation of the product and the hazards involved, in accordance with applicable NEC code.
- Switch off main power before beginning installation.
- Install per national installation and accident prevention regulations.
- Clearance between sides of luminaire and parts of building to be 1/2 inch minimum; clearance to insulating materials to be 3 inch minimum, unless luminaire is IC rated.
- Fixtures must be installed in applications where the ambient temperature does not exceed 40° C during normal operation.
- DO NOT connect or disconnect LED board wire connector when the fixture is energized. This may result in permanent damage to the LED array.
- Warranty claims will not be accepted if incorrect driver or light engine is used.

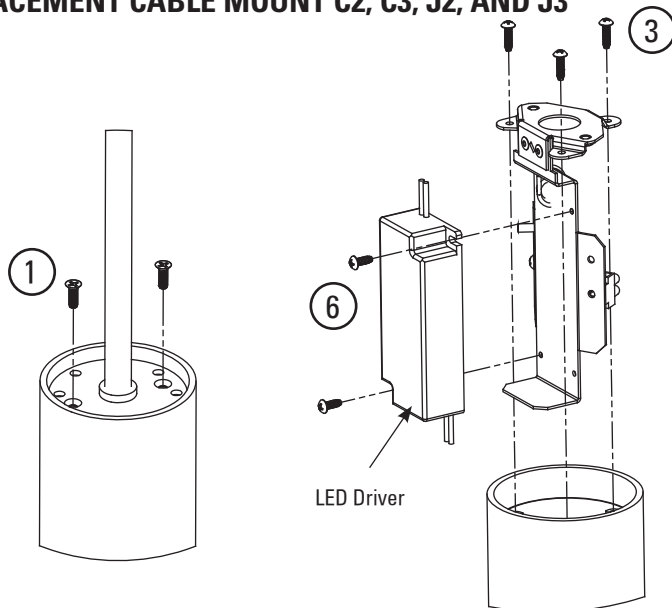
REFLECTOR REPLACEMENT



LIGHT ENGINE REPLACEMENT



DRIVER REPLACEMENT CABLE MOUNT C2, C3, J2, AND J3



USAI CYLINDER 3

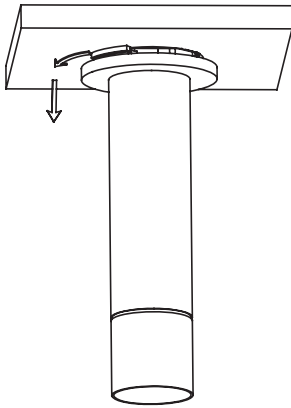
SERVICE INSTRUCTIONS

Cable Mount and Surface Mount

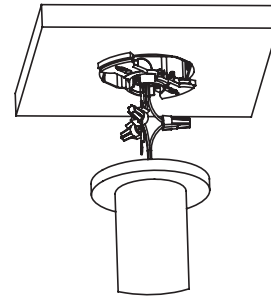
CAUTION READ BEFORE INSTALLATION

- Retain these instructions for future reference. This product must be installed by a person familiar with the construction and operation of the product and the hazards involved, in accordance with applicable NEC code.
- Switch off main power before beginning installation.
- Install per national installation and accident prevention regulations.
- Clearance between sides of luminaire and parts of building to be 1/2 inch minimum; clearance to insulating materials to be 3 inch minimum, unless luminaire is IC rated.
- Fixtures must be installed in applications where the ambient temperature does not exceed 40° C during normal operation.
- DO NOT connect or disconnect LED board wire connector when the fixture is energized. This may result in permanent damage to the LED array.
- Warranty claims will not be accepted if incorrect driver or light engine is used.

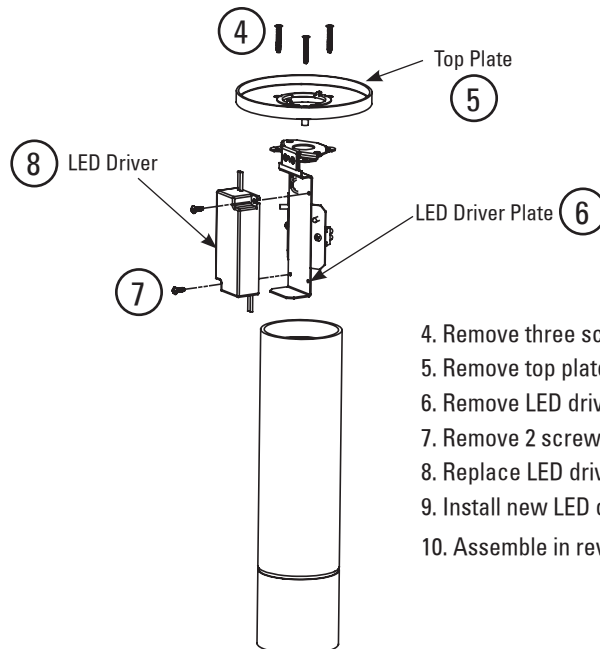
DRIVER REPLACEMENT SURFACE MOUNT - SM



1. Counter clockwise 1/4 turn to remove fixture.



2. Disconnect wire-nuts
3. Disconnect safety cable



4. Remove three screws.
5. Remove top plate.
6. Remove LED driver plate.
7. Remove 2 screws from LED driver.
8. Replace LED driver.
9. Install new LED driver.
10. Assemble in reverse order.