

**USAI Block 5**  
**INSTALLATION INSTRUCTIONS**  
**Surface Mount and**  
**Conduit Cut Out Mount**

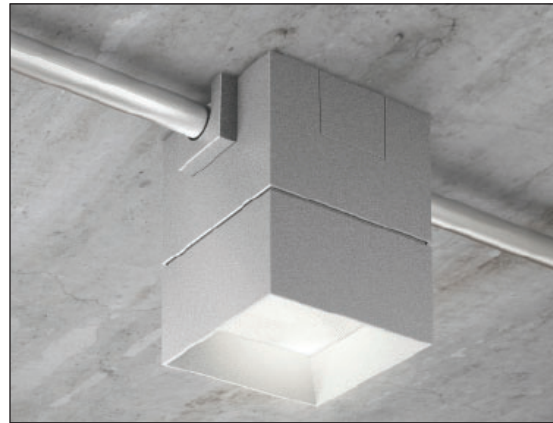
**CAUTION READ BEFORE INSTALLATION**

- Retain these instructions for future reference. This product must be installed by a person familiar with the construction and operation of the product and the hazards involved, in accordance with applicable NEC code.
- Switch off main power before beginning installation.
- Install per national installation and accident prevention regulations.
- Fixtures must be installed in applications where the ambient temperature does not exceed 40° C during normal operation.
- **DO NOT** connect or disconnect LED board wire connector when the fixture is energized. This may result in permanent damage to the LED array.
- Warranty claims will not be accepted if incorrect driver or light engine is used.

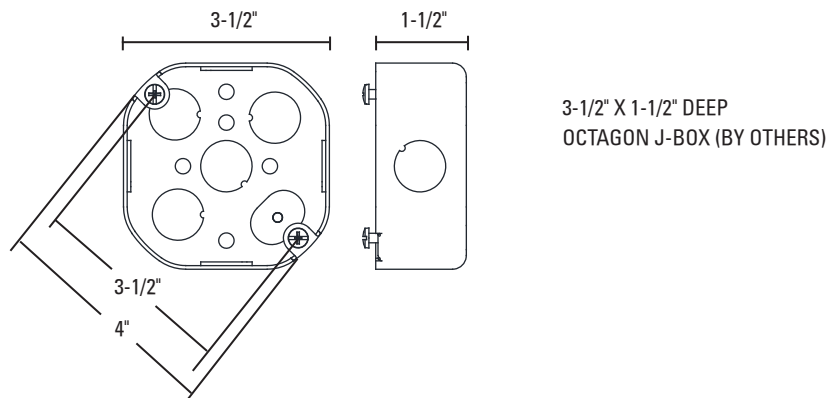
**SM Mounting**  
**Ceiling / Surface**



**CC Mounting**  
**Conduit Cutout**



**BLOCK mounts to a standard 4"Ø octagonal junction box (by others)**



# USAI Block 5

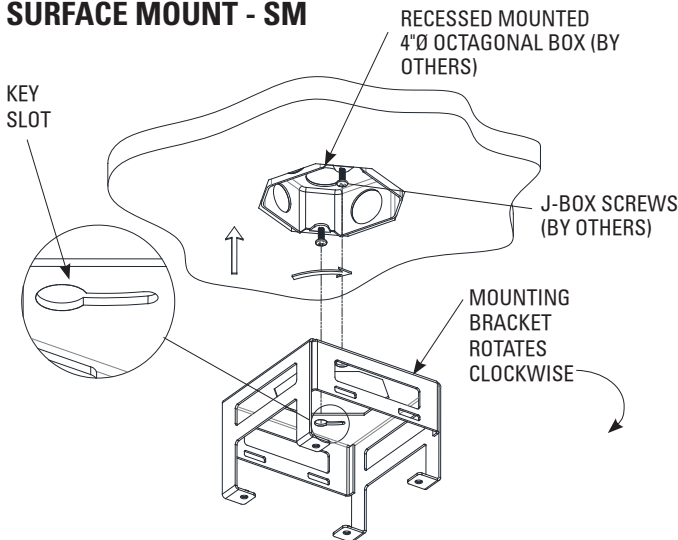
## INSTALLATION INSTRUCTIONS

### Surface Mount and Conduit Cut Out Mount

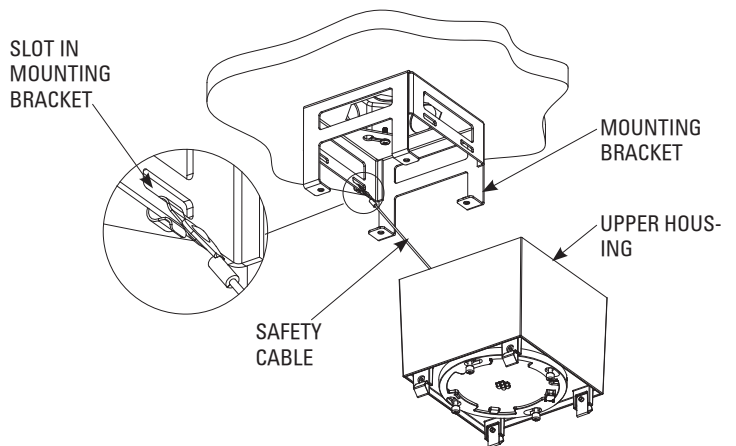
### CAUTION READ BEFORE INSTALLATION

- Retain these instructions for future reference. This product must be installed by a person familiar with the construction and operation of the product and the hazards involved, in accordance with applicable NEC code.
- Switch off main power before beginning installation.
- Install per national installation and accident prevention regulations.
- Fixtures must be installed in applications where the ambient temperature does not exceed 40° C during normal operation.
- DO NOT connect or disconnect LED board wire connector when the fixture is energized. This may result in permanent damage to the LED array.
- Warranty claims will not be accepted if incorrect driver or light engine is used.

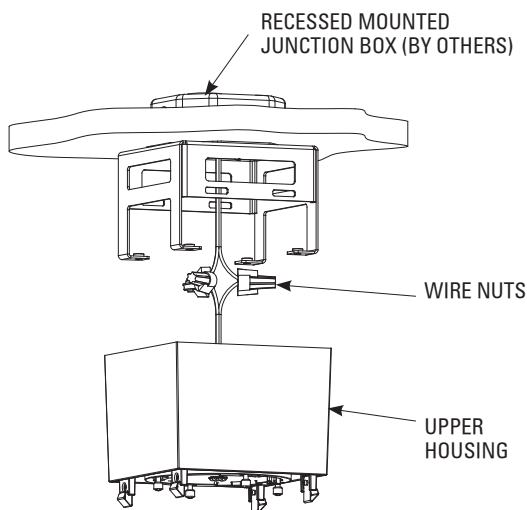
### SURFACE MOUNT - SM



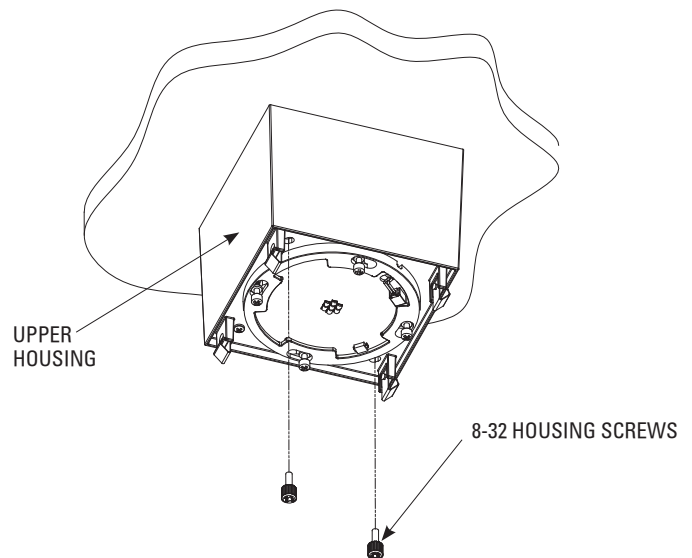
1. Attach mounting bracket to junction box (by others) by aligning key slots to junction box screws and rotating clockwise. Tighten junction box screws.



2. Attach safety cable form upper housing to slot in mounting bracket. **NOTE: Safety cable must be attached to mounting bracket before making wire connections!**



3. Make wire connection with wire-nuts (by others). Push wire nuts into junction box.



4. Push upper housing to ceiling. Once in place, use (2) #8-32 housing screws supplied to attach to mounting bracket. Be sure to tighten screws before moving on to next step.

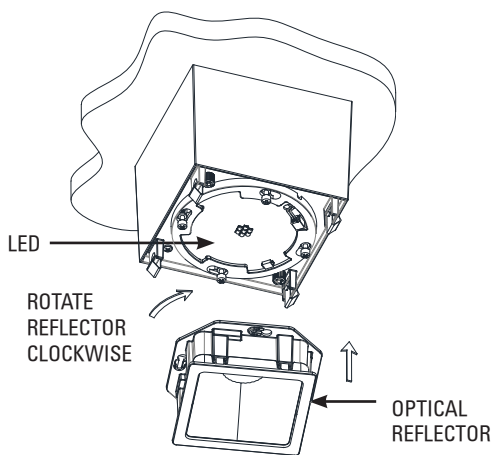
# USAI Block 5 INSTALLATION INSTRUCTIONS Surface Mount and Conduit Cut Out Mount

## CAUTION READ BEFORE INSTALLATION

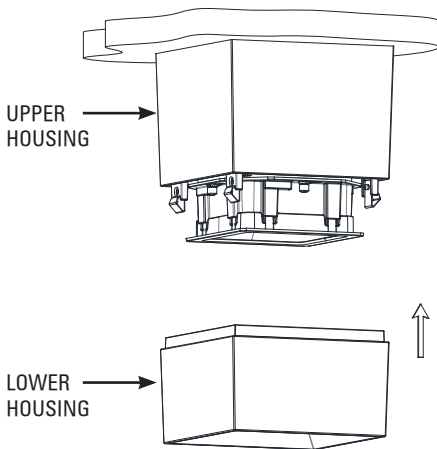
- Retain these instructions for future reference. This product must be installed by a person familiar with the construction and operation of the product and the hazards involved, in accordance with applicable NEC code.
- Switch off main power before beginning installation.
- Install per national installation and accident prevention regulations.
- Fixtures must be installed in applications where the ambient temperature does not exceed 40° C during normal operation.
- **DO NOT** connect or disconnect LED board wire connector when the fixture is energized. This may result in permanent damage to the LED array.
- Warranty claims will not be accepted if incorrect driver or light engine is used.

### SURFACE MOUNT - SM (continued)

#### Downlight

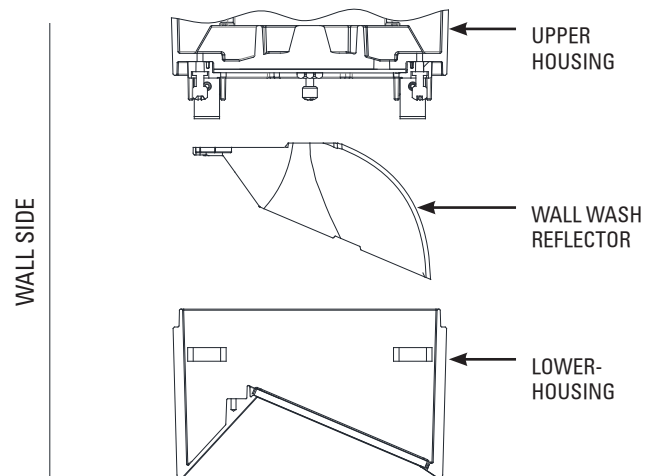


5. Attach optical reflector over LED and secure by rotating clockwise into place.

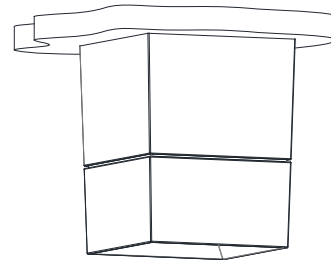


6. Snap lower housing into upper housing.

#### Wall Wash



5. Orient the wall wash reflector as shown towards wall. Attach optical reflector over LED and secure by pulling reflector into place. Orient the trim as shown over reflector and snap into place.



7. Assembled BLOCK Surface Mount should look like the above.

# USAI Block 5

## INSTALLATION INSTRUCTIONS

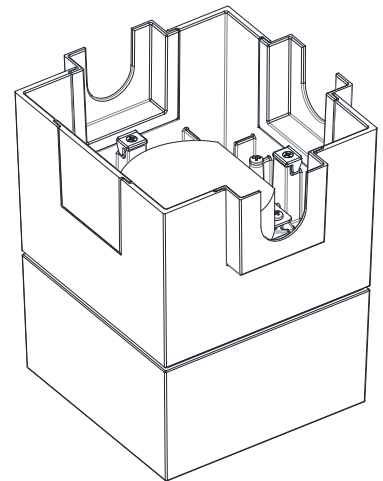
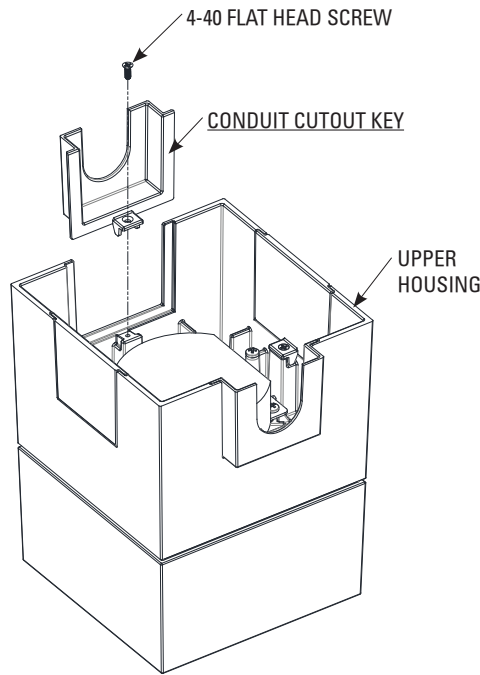
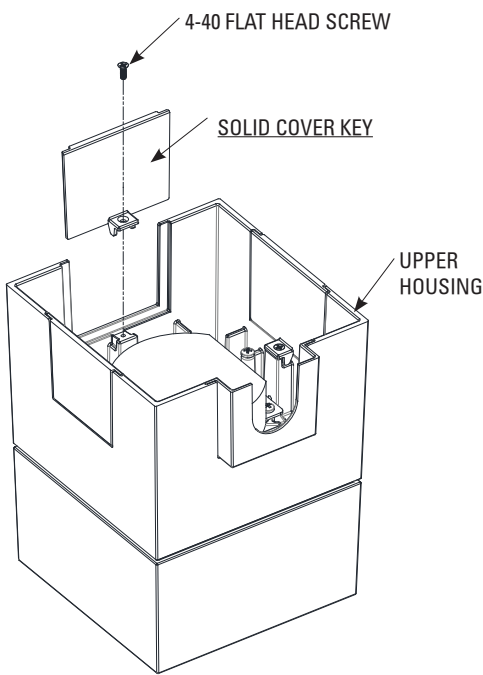
### Surface Mount and Conduit Cut Out Mount

#### CAUTION READ BEFORE INSTALLATION

- Retain these instructions for future reference. This product must be installed by a person familiar with the construction and operation of the product and the hazards involved, in accordance with applicable NEC code.
- Switch off main power before beginning installation.
- Install per national installation and accident prevention regulations.
- Fixtures must be installed in applications where the ambient temperature does not exceed 40° C during normal operation.
- DO NOT connect or disconnect LED board wire connector when the fixture is energized. This may result in permanent damage to the LED array.
- Warranty claims will not be accepted if incorrect driver or light engine is used.

## INSTALLING CONDUIT CUTOUT KEYS

BLOCK CC style is shipped with (1) conduit cutout key and (3) solid cover keys installed. Revise BLOCK configuration for your project with these steps.



1. Determine what sides need to have conduit cutout keys based off of ceiling conduit layout.

2. Remove 4-40 flat head screws that are holding in the solid cover key that needs to be removed. Remove solid cover key and remove.

3. Attach conduit key where solid cover key was removed using 4-40 flat head screw.

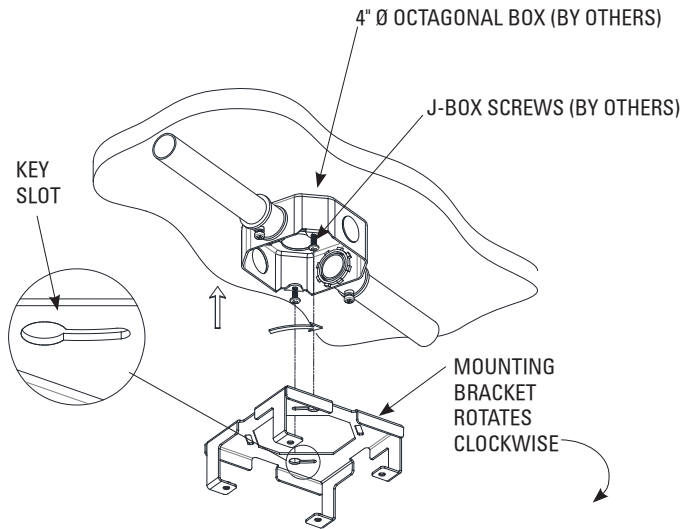
4. Repeat steps 1-2 for all sides that need to have conduit cutout keys.

# USAI Block 5 INSTALLATION INSTRUCTIONS Surface Mount and Conduit Cut Out Mount

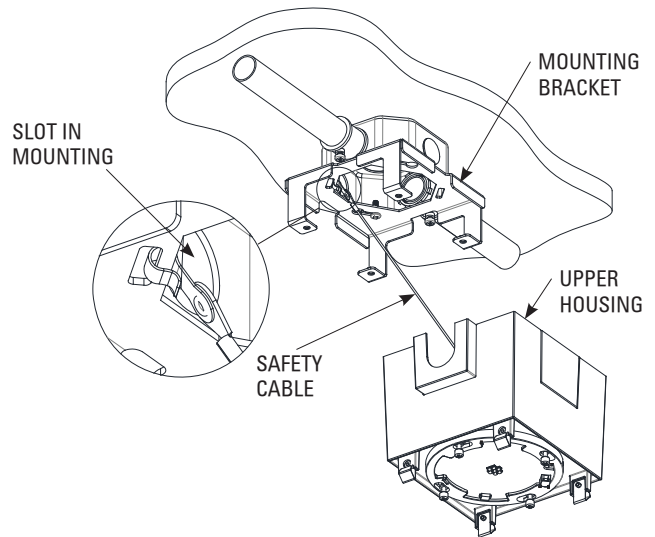
## CAUTION READ BEFORE INSTALLATION

- Retain these instructions for future reference. This product must be installed by a person familiar with the construction and operation of the product and the hazards involved, in accordance with applicable NEC code.
- Switch off main power before beginning installation.
- Install per national installation and accident prevention regulations.
- Fixtures must be installed in applications where the ambient temperature does not exceed 40° C during normal operation.
- **DO NOT** connect or disconnect LED board wire connector when the fixture is energized. This may result in permanent damage to the LED array.
- Warranty claims will not be accepted if incorrect driver or light engine is used.

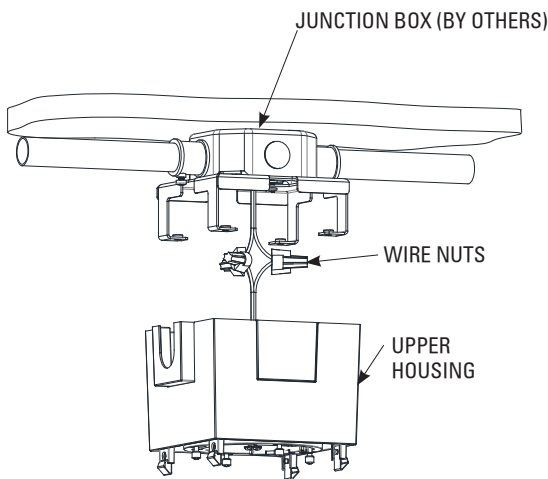
## CONDUIT CUTOUT



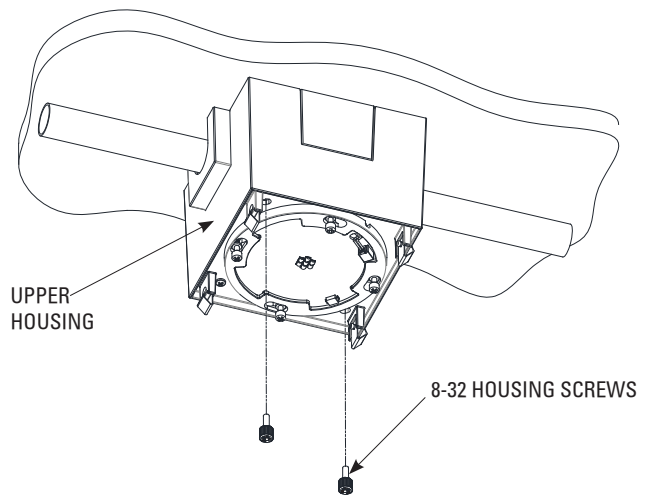
1. Attach mounting bracket to junction box (by others) by aligning key slots to junction box screws and rotating clockwise. Tighten junction box screws.



2. Attach safety cable form upper housing to slot in mounting bracket. **NOTE: Safety cable must be attached to mounting bracket before making wire connections!**



3. Make wire connection with wire-nuts (by others). Push wire-nuts into junction box.



4. Push upper housing to ceiling making sure to have the conduit covers slide over 1/2" or 3/4" conduit (by others). Once in place, use (2) #8-32 housing screws supplied to attach to mounting bracket. Be sure to tighten screws before moving on to next step.

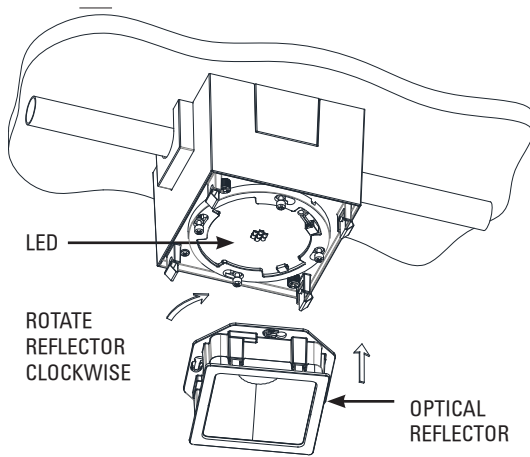
# USAI Block 5 INSTALLATION INSTRUCTIONS Surface Mount and Conduit Cut Out Mount

## CAUTION READ BEFORE INSTALLATION

- Retain these instructions for future reference. This product must be installed by a person familiar with the construction and operation of the product and the hazards involved, in accordance with applicable NEC code.
- Switch off main power before beginning installation.
- Install per national installation and accident prevention regulations.
- Fixtures must be installed in applications where the ambient temperature does not exceed 40° C during normal operation.
- DO NOT connect or disconnect LED board wire connector when the fixture is energized. This may result in permanent damage to the LED array.
- Warranty claims will not be accepted if incorrect driver or light engine is used.

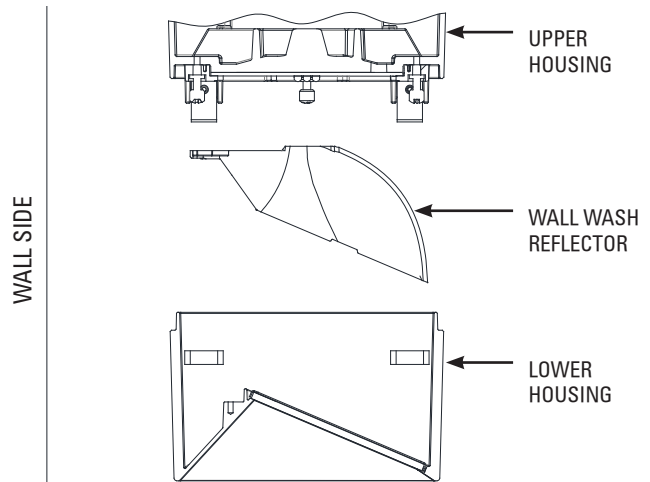
## CONDUIT CUTOUT (continued)

### Downlight

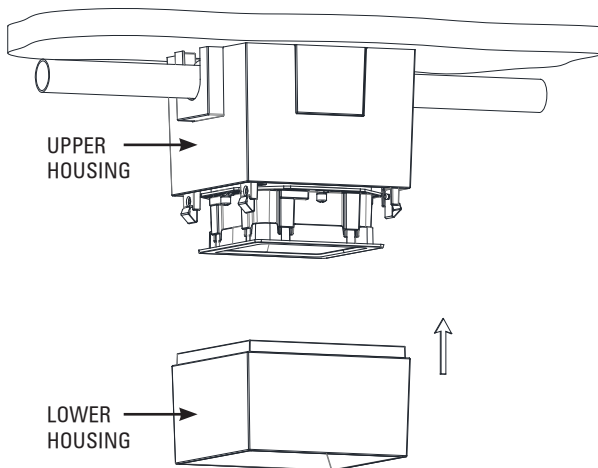


5. Attach optical reflector over LED and secure by rotating clockwise into place.

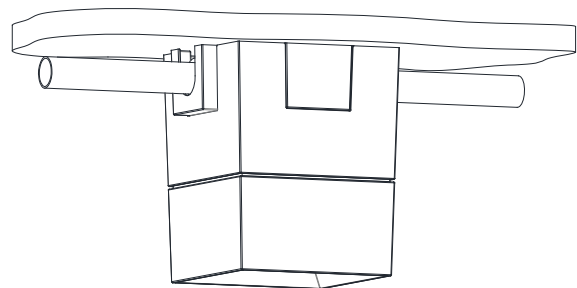
### Wall Wash



5. Orient the reflector as shown towards wall. Attach optical reflector over LED and secure by pulling reflector into place. Orient the trim as shown over reflector and snap into place.



6. Snap lower housing into upper



7. Assembled BLOCK for Conduit Cutout should look like the above