

USAI RECESS MULTICELL INSTALLATION INSTRUCTIONS

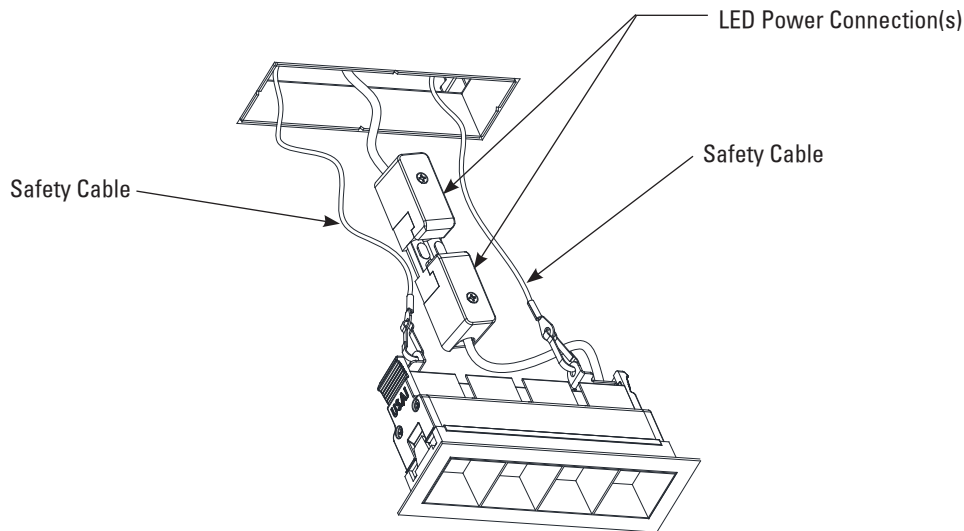
Downlight and Wall Wash Trims

CAUTION READ BEFORE INSTALLATION

- Retain these instructions for future reference. This product must be installed by a person familiar with the construction and operation of the product and the hazards involved, in accordance with applicable NEC code.
- Switch off main power before beginning installation.
- Install per national installation and accident prevention regulations.
- Fixtures must be installed in applications where the ambient temperature does not exceed 40° C during normal operation.
- DO NOT connect or disconnect LED board wire connector when the fixture is energized. This may result in permanent damage to the LED array.
- Warranty claims will not be accepted if incorrect driver or light engine is used.

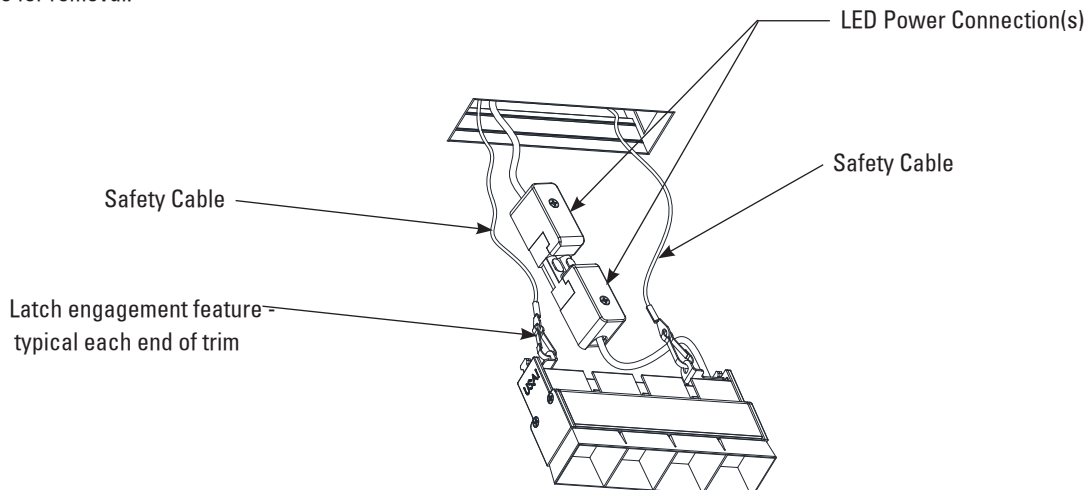
FLANGED TRIM INSTALLATION:

1. Attach BOTH safety cables to the trim as shown.
2. Join the LED power connection(s). (1X) for the 2, 4 & 8 light trims.
3. Install trim assembly into aperture until it is flush with the ceiling and the trim retaining springs are engaged.



TRIMLESS TRIM INSTALLATION:

1. Attach BOTH safety cables to the trim as shown.
2. Join the LED power connection(s). (1X) for the 2, 4 & 8 light trims.
3. The trim is retained by (2) push to latch - push to unlatch latches. Install trim assembly into aperture until it is flush with the ceiling and then push in about 1/8" more until no further travel is allowed. Release the trim and it will drop and sit flush with the ceiling surface.
4. Removal is accomplished by pushing it in again about 1/8" until no further travel is allowed. Releasing the trim will now allow it to drop from the aperture for removal.



USAI RECESS MULTICELL INSTALLATION INSTRUCTIONS Downlight and Wall Wash Trims

CAUTION READ BEFORE INSTALLATION

- Retain these instructions for future reference. This product must be installed by a person familiar with the construction and operation of the product and the hazards involved, in accordance with applicable NEC code.
- Switch off main power before beginning installation.
- Install per national installation and accident prevention regulations.
- Fixtures must be installed in applications where the ambient temperature does not exceed 40° C during normal operation.
- **DO NOT** connect or disconnect LED board wire connector when the fixture is energized. This may result in permanent damage to the LED array.
- Warranty claims will not be accepted if incorrect driver or light engine is used.

MILLWORK TRIM INSTALLATION:

1. Attach safety cables to the trim as shown. (1X) for 2 light, (2X) for the 4 and 8.
2. Join the LED power connection(s). (1X) for the 2, 4 and 8 light.
3. The trim is retained by (2) push to latch - push to unlatch latches. Install trim assembly into aperture until it is flush with the ceiling and then push in about 1/8" more until no further travel is allowed. Release the trim and it will drop and sit flush with the ceiling surface.
4. Removal is accomplished by pushing it in again about 1/8" until no further travel is allowed. Releasing the trim will not allow it to drop from the aperture for removal.

