

# USAI RECESS MULTICELL INSTALLATION INSTRUCTIONS

## Adjustable Housing

### Trimmed Ceiling Cutout:

4 Light: 2-5/16" x 5-15/16"

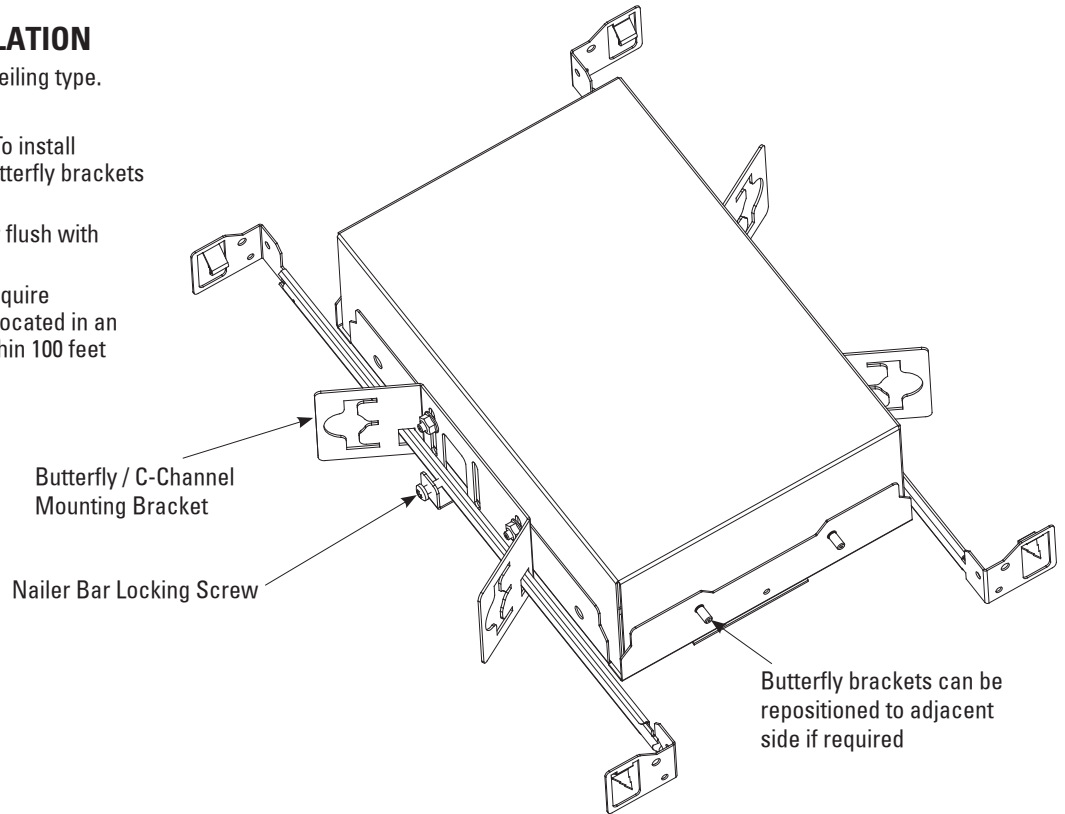
8 Light: 2-5/16" x 10-15/16"

### CAUTION READ BEFORE INSTALLATION

- Retain these instructions for future reference. This product must be installed by a person familiar with the construction and operation of the product and the hazards involved, in accordance with applicable NEC code.
- Switch off main power before beginning installation.
- Install per national installation and accident prevention regulations.
- Clearance between sides of luminaire and parts of building to be 1/2 inch minimum; clearance to insulating materials to be 3 inch minimum, unless luminaire is IC rated.
- Fixtures must be installed in applications where the ambient temperature does not exceed 40° C during normal operation.
- DO NOT connect or disconnect LED board wire connector when the fixture is energized. This may result in permanent damage to the LED array.
- Warranty claims will not be accepted if incorrect driver or light engine is used.

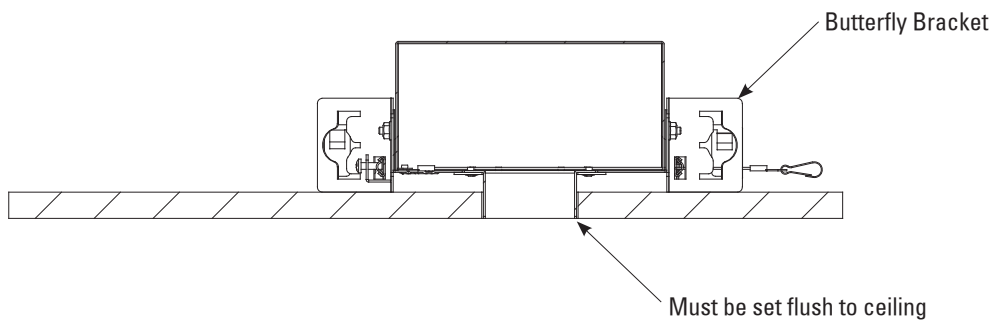
### TRIMMED HOUSING INSTALLATION

1. Mount fixture housing according to ceiling type.
  - C-channels (optional) are available.
  - Nailer bars are supplied standard. To install nailer bars, slide bars thru slots in butterfly brackets and lock in place with 8-32 screw.
2. Adjust brackets to set aperture collar flush with ceiling. \*See IMPORTANT below.
3. Remote dimming driver(s) supplied require an enclosure by others and must be located in an accessible service panel located within 100 feet of the light fixture.



### \*IMPORTANT:

DURING INSTALLATION APERTURE  
COLLAR MUST BE SET FLUSH TO CEILING



# USAI RECESS MULTICELL INSTALLATION INSTRUCTIONS

## Adjustable Housing

### Trimless Ceiling Cutout:

4 Light: 2-7/8" x 6-7/16"

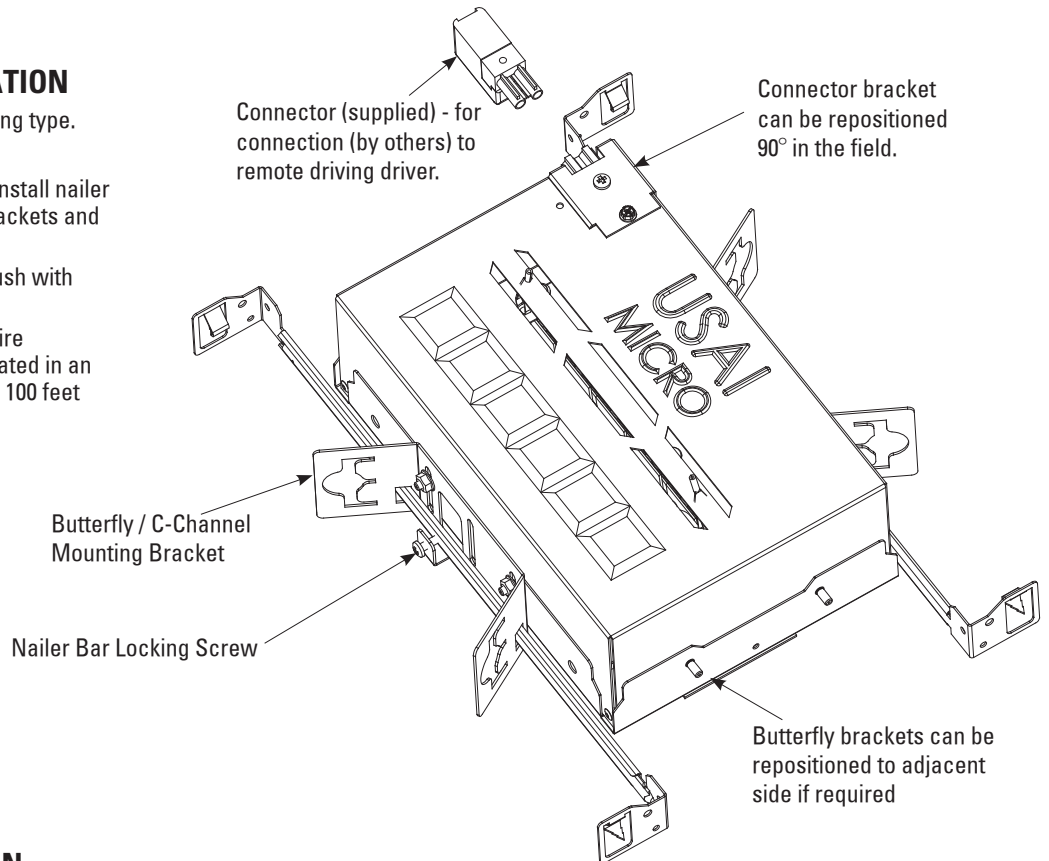
8 Light: 2-7/8" x 11-7/16"

### CAUTION READ BEFORE INSTALLATION

- Retain these instructions for future reference. This product must be installed by a person familiar with the construction and operation of the product and the hazards involved, in accordance with applicable NEC code.
- Switch off main power before beginning installation.
- Install per national installation and accident prevention regulations.
- Clearance between sides of luminaire and parts of building to be 1/2 inch minimum; clearance to insulating materials to be 3 inch minimum, unless luminaire is IC rated.
- Fixtures must be installed in applications where the ambient temperature does not exceed 40° C during normal operation.
- DO NOT connect or disconnect LED board wire connector when the fixture is energized. This may result in permanent damage to the LED array.
- Warranty claims will not be accepted if incorrect driver or light engine is used.
- Do not install in accoustical ceiling tiles.

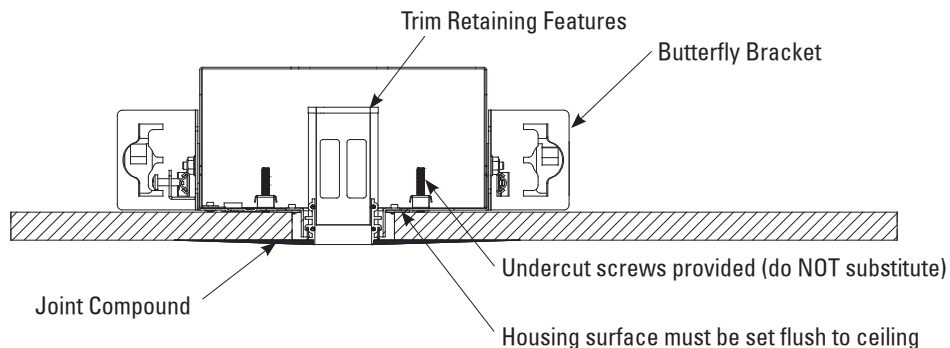
### TRIMLESS HOUSING INSTALLATION

1. Mount fixture housing according to ceiling type.
  - C-channels (optional) are available.
  - Nailer bars are supplied standard. To install nailer bars, slide bars thru slots in butterfly brackets and lock in place with 8-32 screw.
2. Adjust brackets to set aperture collar flush with ceiling. \*See IMPORTANT below.
3. Remote dimming driver(s) supplied require an enclosure by others and must be located in an accessible service panel located within 100 feet of the light fixture.



### SPACKLE FRAME INSTALLATION

1. Before starting, ensure the housing has been properly secured and is flush to the top surface of the ceiling as shown.
2. Using the spackle frame as a template, mark the mounting holes on the ceiling to ensure alignment to fixture cage nuts.
3. Using a 1/4" diameter drill bit, carefully drill mounting holes through the ceiling depth only. (Do not drill into fixture or cage nuts).
4. Re-position the spackle frame into aperture hole, install utilizing the undercut screws provided (do NOT substitute).
5. Apply joint compound over plaster frame and feather out accordingly. Paint as desired.
6. See trim installation



# USAI RECESS MULTICELL INSTALLATION INSTRUCTIONS Adjustable Housing

## Millwork Ceiling Cutout:

4 Light: 2-9/32" x 5-7/8"

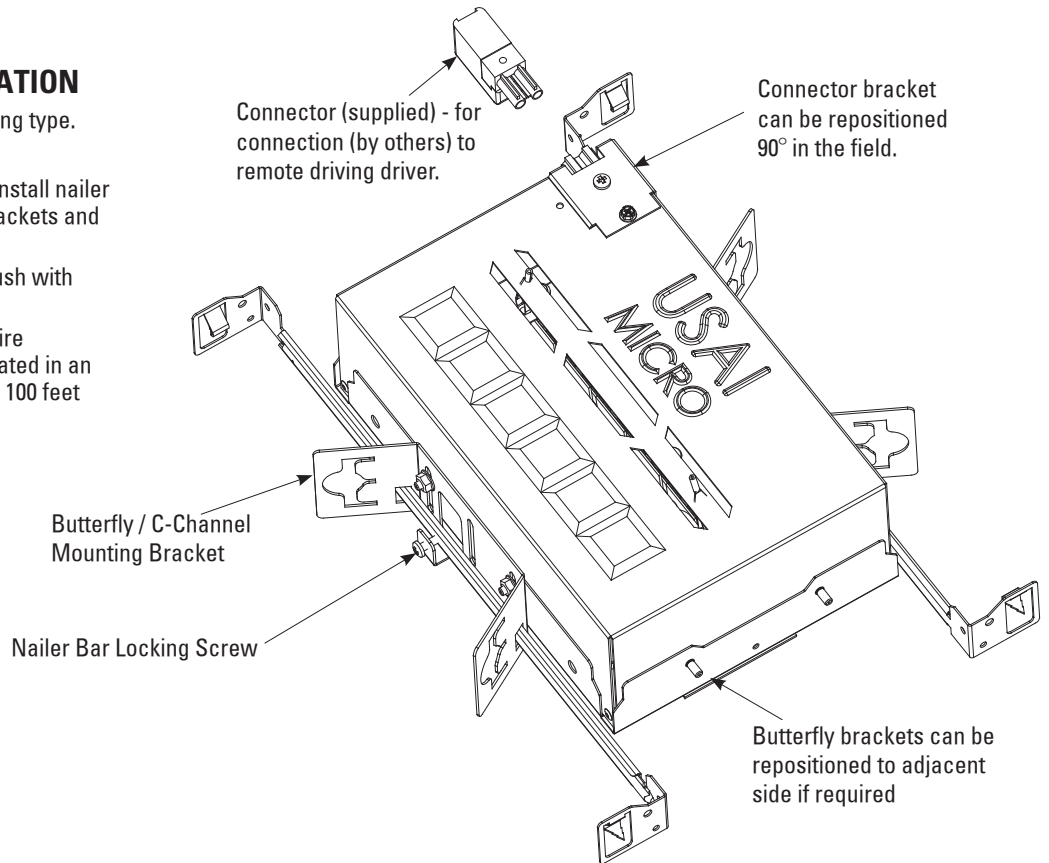
8 Light: 2-9/32" x 10-7/8"

## CAUTION READ BEFORE INSTALLATION

- Retain these instructions for future reference. This product must be installed by a person familiar with the construction and operation of the product and the hazards involved, in accordance with applicable NEC code.
- Switch off main power before beginning installation.
- Install per national installation and accident prevention regulations.
- Clearance between sides of luminaire and parts of building to be 1/2 inch minimum; clearance to insulating materials to be 3 inch minimum, unless luminaire is IC rated.
- Fixtures must be installed in applications where the ambient temperature does not exceed 40° C during normal operation.
- DO NOT connect or disconnect LED board wire connector when the fixture is energized. This may result in permanent damage to the LED array.
- Warranty claims will not be accepted if incorrect driver or light engine is used.
- Do not install in accoustical ceiling tiles.

## MILLWORK HOUSING INSTALLATION

1. Mount fixture housing according to ceiling type.
  - C-channels (optional) are available.
  - Nailer bars are supplied standard. To install nailer bars, slide bars thru slots in butterfly brackets and lock in place with 8-32 screw.
2. Adjust brackets to set aperture collar flush with ceiling. \*See IMPORTANT below.
3. Remote dimming driver(s) supplied require an enclosure by others and must be located in an accessible service panel located within 100 feet of the light fixture.



### \*IMPORTANT:

DURING INSTALLATION APERTURE COLLAR MUST BE SET FLUSH TO CEILING

