

USAI RECESS MULTICELL INSTALLATION INSTRUCTIONS

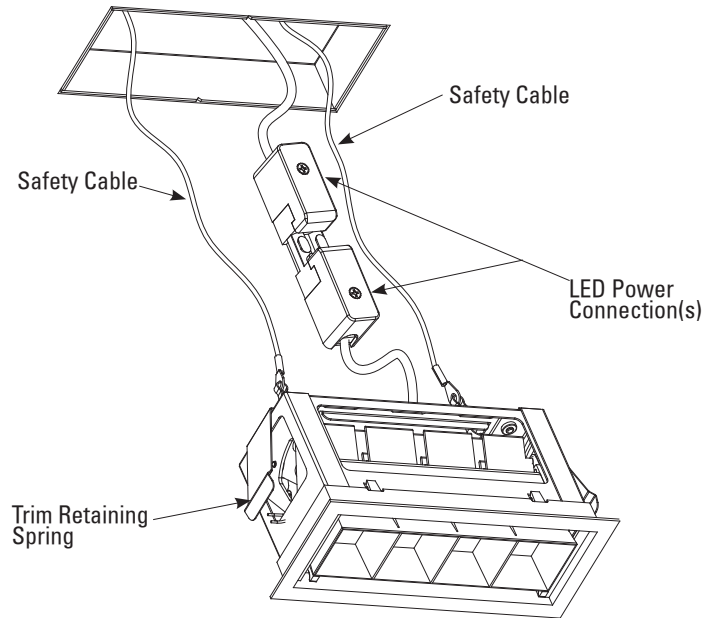
Adjustable Trim

CAUTION READ BEFORE INSTALLATION

- Retain these instructions for future reference. This product must be installed by a person familiar with the construction and operation of the product and the hazards involved, in accordance with applicable NEC code.
- Switch off main power before beginning installation.
- Install per national installation and accident prevention regulations.
- Clearance between sides of luminaire and parts of building to be 1/2 inch minimum; clearance to insulating materials to be 3 inch minimum, unless luminaire is IC rated.
- Fixtures must be installed in applications where the ambient temperature does not exceed 40° C during normal operation.
- DO NOT connect or disconnect LED board wire connector when the fixture is energized. This may result in permanent damage to the LED array.
- Warranty claims will not be accepted if incorrect driver or light engine is used.

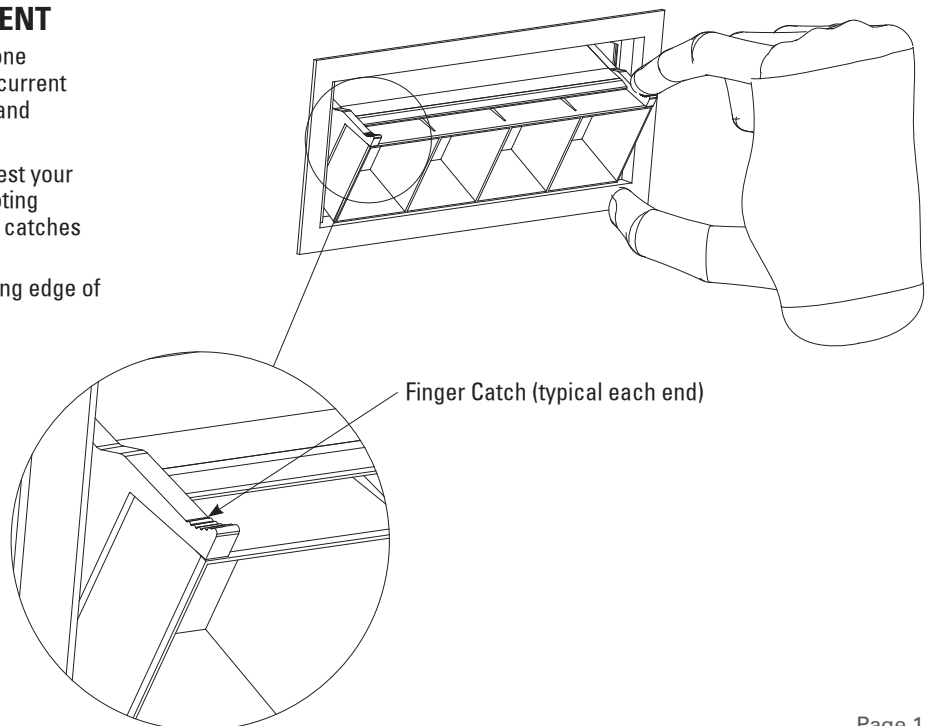
FLANGED TRIM INSTALLATION

1. Attach BOTH safety cables to the trim as shown.
2. Join the LED power connection(s).
(1X) for the 4 & 8 light trims.
3. Install trim assembly into aperture until it is flush with the ceiling and the trim retaining springs are engaged.



FLANGED VERTICAL AIMING ADJUSTMENT

1. The trim may be adjusted up to 25° from vertical in one direction. If the angle required is opposite from the current adjustment range, remove the trim from the ceiling and re-install it rotated 180°.
2. Using the thumb and index finger from each hand, rest your thumbs against the flange as shown and tilt the pivoting optical assembly downward by pulling on the finger catches with your index fingers.
3. To reduce the angle of tilt, push against the protruding edge of the trim near each end and it will swing upward.



USAI RECESS MULTICELL INSTALLATION INSTRUCTIONS

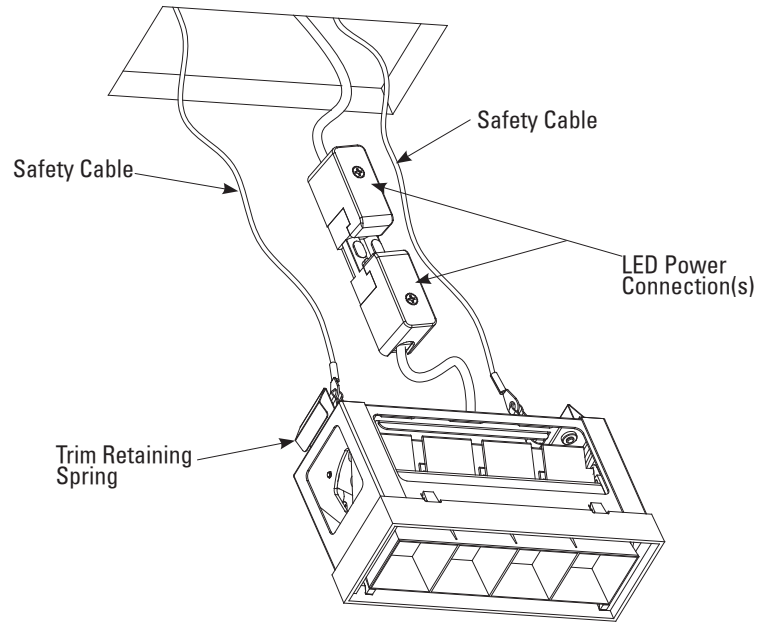
Adjustable Trim

CAUTION READ BEFORE INSTALLATION

- Retain these instructions for future reference. This product must be installed by a person familiar with the construction and operation of the product and the hazards involved, in accordance with applicable NEC code.
- Switch off main power before beginning installation.
- Install per national installation and accident prevention regulations.
- Clearance between sides of luminaire and parts of building to be 1/2 inch minimum; clearance to insulating materials to be 3 inch minimum, unless luminaire is IC rated.
- Fixtures must be installed in applications where the ambient temperature does not exceed 40° C during normal operation.
- DO NOT connect or disconnect LED board wire connector when the fixture is energized. This may result in permanent damage to the LED array.
- Warranty claims will not be accepted if incorrect driver or light engine is used.

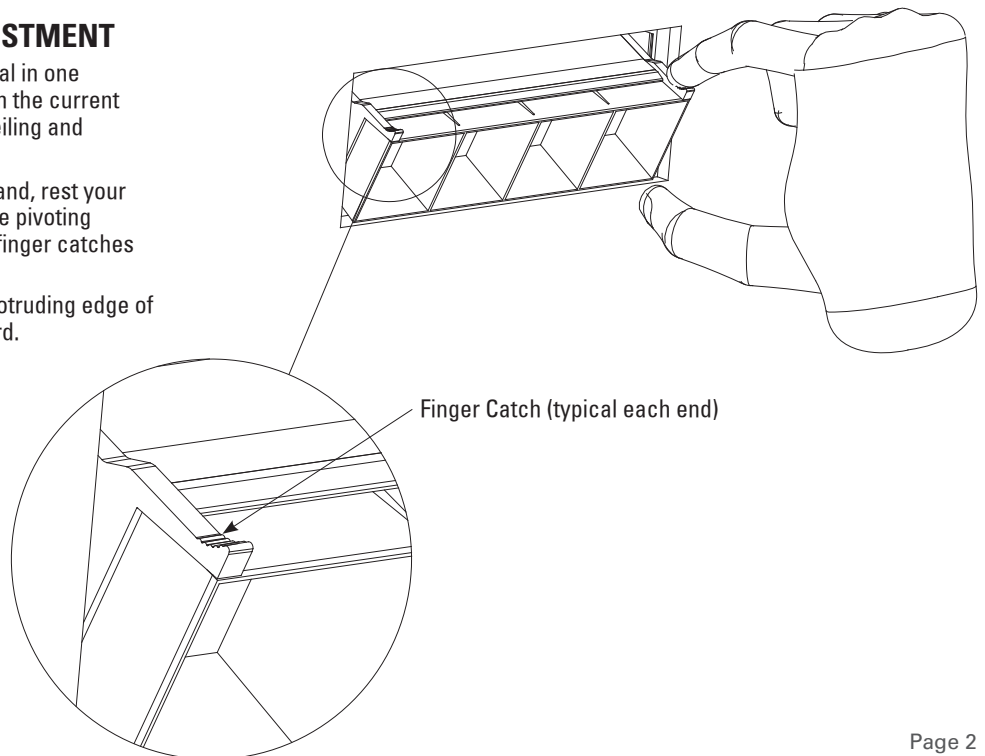
TRIMLESS TRIM INSTALLATION

1. Attach BOTH safety cables to the trim as shown.
2. Join the LED power connection(s). (1X) for the 4 & 8 light trims.
3. Install trim assembly into aperture until it is flush with the ceiling and the trim retaining springs are engaged.
4. To remove see trimless trim removal on page 3.



TRIMLESS VERTICAL AIMING ADJUSTMENT

1. The trim may be adjusted up to 25° from vertical in one direction. If the angle required is opposite from the current adjustment range, remove the trim from the ceiling and re-install it rotated 180°.
2. Using the thumb and index finger from each hand, rest your thumbs against the flange as shown and tilt the pivoting optical assembly downward by pulling on the finger catches with your index fingers.
3. To reduce the angle of tilt, push against the protruding edge of the trim near each end and it will swing upward.



USAI RECESS MULTICELL INSTALLATION INSTRUCTIONS

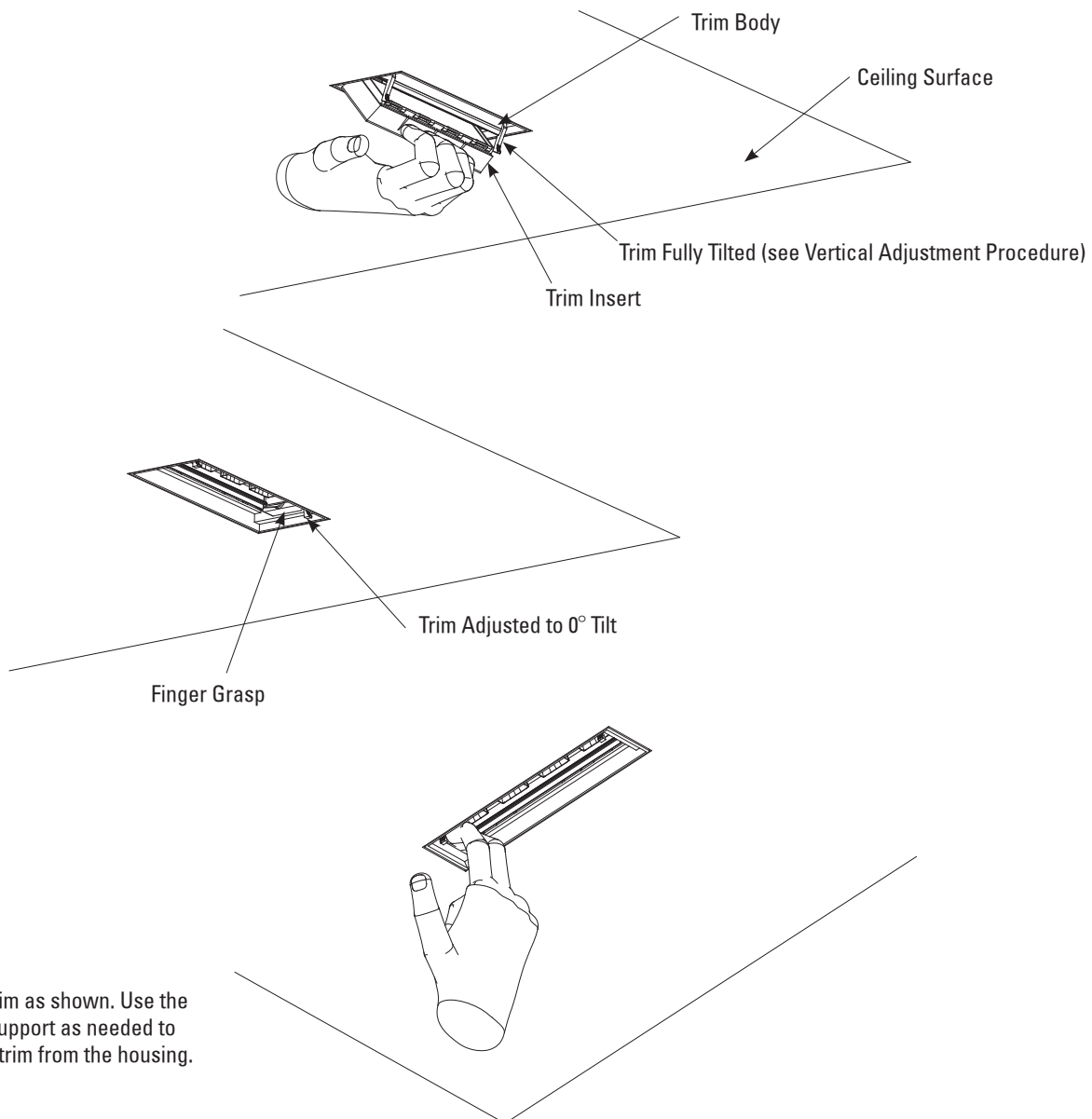
Adjustable Trim

CAUTION READ BEFORE INSTALLATION

- Retain these instructions for future reference. This product must be installed by a person familiar with the construction and operation of the product and the hazards involved, in accordance with applicable NEC code.
- Switch off main power before beginning installation.
- Install per national installation and accident prevention regulations.
- Clearance between sides of luminaire and parts of building to be 1/2 inch minimum; clearance to insulating materials to be 3 inch minimum, unless luminaire is IC rated.
- Fixtures must be installed in applications where the ambient temperature does not exceed 40° C during normal operation.
- **DO NOT** connect or disconnect LED board wire connector when the fixture is energized. This may result in permanent damage to the LED array.
- Warranty claims will not be accepted if incorrect driver or light engine is used.

TRIMLESS TRIM REMOVAL

1. Adjust trim to the fully tilted position, see Vertical Adjustment Procedure on page 2.
2. Press against the trim insert and simultaneously pull the edge downward to unsnap it from the trim body.
3. Adjust the trim to the 0° tilt position.
4. Using the finger grasps, pull the ends of the trim downward to remove the trim. Disconnect the power connection(s) and safety cables.
5. The trim insert can be snapped back in place before or after re-installation of the trim in the housing.



NOTE:
Grasp the trim as shown. Use the ceiling for support as needed to remove the trim from the housing.

USAI RECESS MULTICELL INSTALLATION INSTRUCTIONS

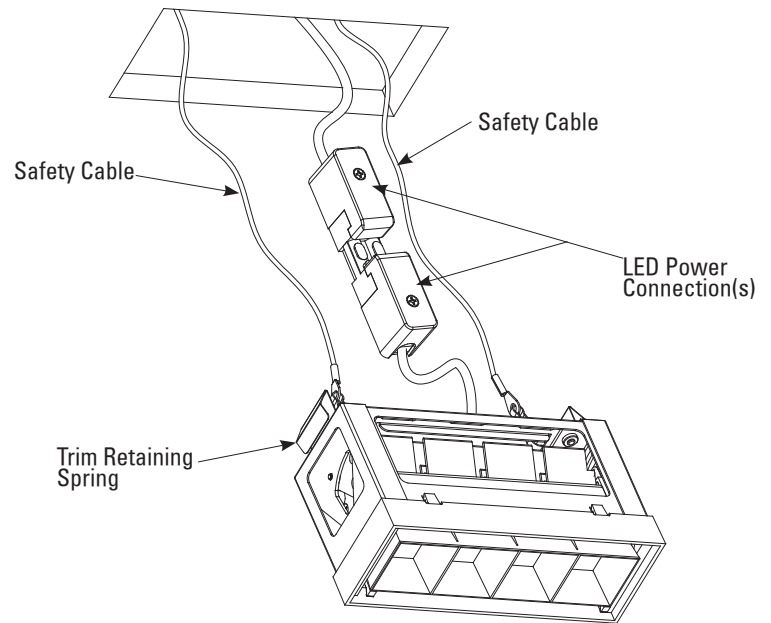
Adjustable Trim

CAUTION READ BEFORE INSTALLATION

- Retain these instructions for future reference. This product must be installed by a person familiar with the construction and operation of the product and the hazards involved, in accordance with applicable NEC code.
- Switch off main power before beginning installation.
- Install per national installation and accident prevention regulations.
- Clearance between sides of luminaire and parts of building to be 1/2 inch minimum; clearance to insulating materials to be 3 inch minimum, unless luminaire is IC rated.
- Fixtures must be installed in applications where the ambient temperature does not exceed 40° C during normal operation.
- DO NOT connect or disconnect LED board wire connector when the fixture is energized. This may result in permanent damage to the LED array.
- Warranty claims will not be accepted if incorrect driver or light engine is used.

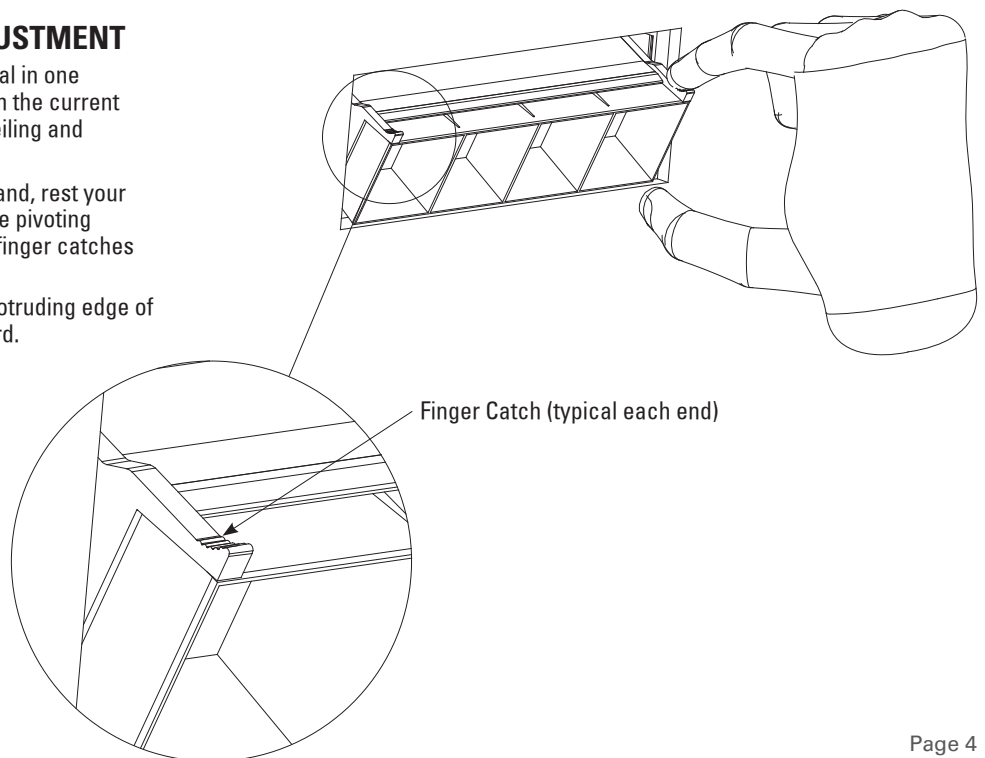
MILLWORK TRIM INSTALLATION

1. Attach BOTH safety cables to the trim as shown.
2. Join the LED power connection(s). (1X) for the 4 & 8 light trims.
3. Install trim assembly into aperture until it is flush with the ceiling and the trim retaining springs are engaged.
4. To remove see millwork trim removal on page 5.



MILLWORK VERTICAL AIMING ADJUSTMENT

1. The trim may be adjusted up to 25° from vertical in one direction. If the angle required is opposite from the current adjustment range, remove the trim from the ceiling and re-install it rotated 180°.
2. Using the thumb and index finger from each hand, rest your thumbs against the flange as shown and tilt the pivoting optical assembly downward by pulling on the finger catches with your index fingers.
3. To reduce the angle of tilt, push against the protruding edge of the trim near each end and it will swing upward.



USAI RECESS MULTICELL INSTALLATION INSTRUCTIONS

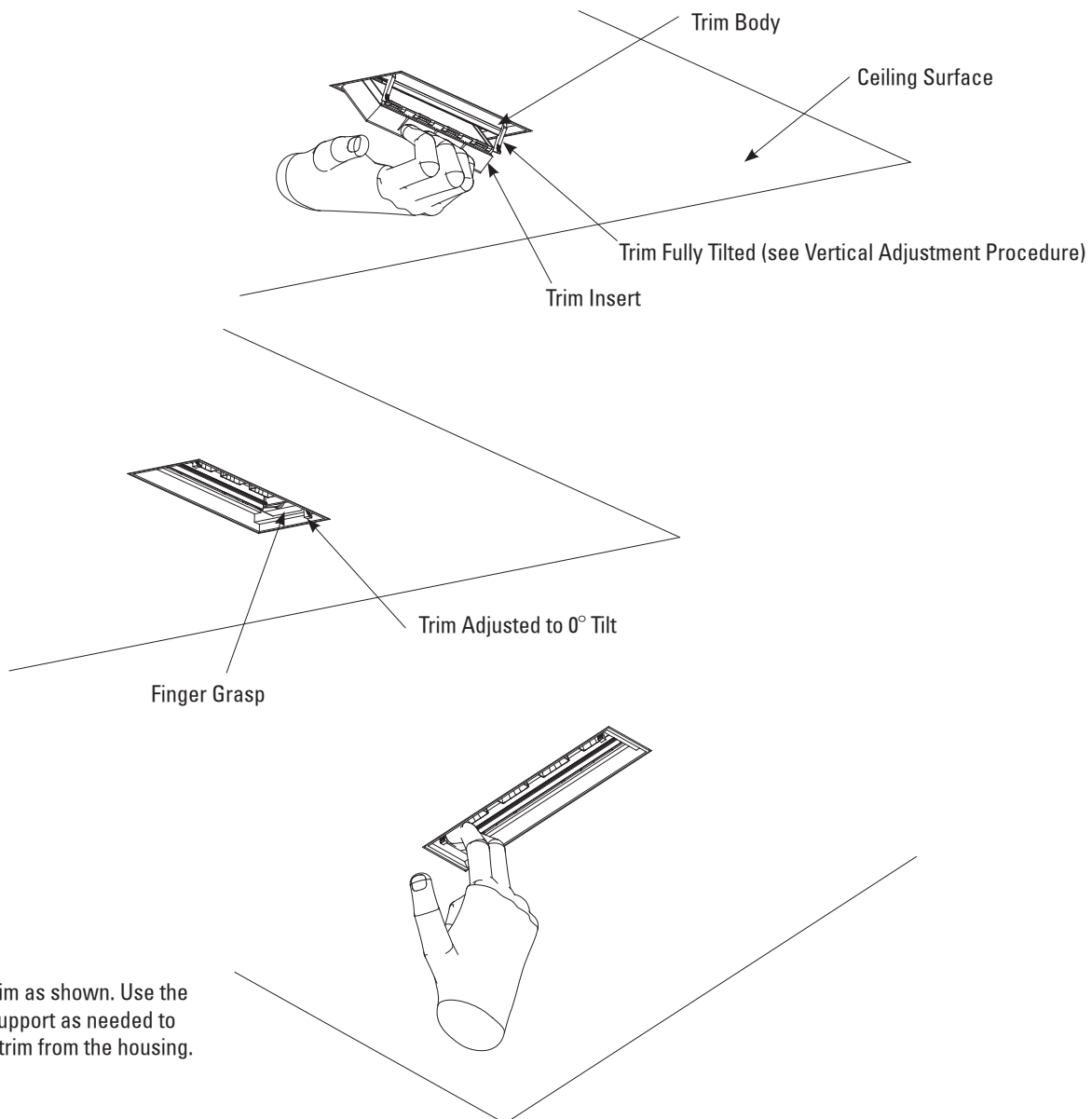
Adjustable Trim

CAUTION READ BEFORE INSTALLATION

- Retain these instructions for future reference. This product must be installed by a person familiar with the construction and operation of the product and the hazards involved, in accordance with applicable NEC code.
- Switch off main power before beginning installation.
- Install per national installation and accident prevention regulations.
- Clearance between sides of luminaire and parts of building to be 1/2 inch minimum; clearance to insulating materials to be 3 inch minimum, unless luminaire is IC rated.
- Fixtures must be installed in applications where the ambient temperature does not exceed 40° C during normal operation.
- **DO NOT** connect or disconnect LED board wire connector when the fixture is energized. This may result in permanent damage to the LED array.
- Warranty claims will not be accepted if incorrect driver or light engine is used.

MILLWORK TRIM REMOVAL

1. Adjust trim to the fully tilted position, see Vertical Adjustment Procedure on page 4.
2. Press against the trim insert and simultaneously pull the edge downward to unsnap it from the trim body.
3. Adjust the trim to the 0° tilt position.
4. Using the finger grasps, pull the ends of the trim downward to remove the trim. Disconnect the power connection(s) and safety cables.
5. The trim insert can be snapped back in place before or after re-installation of the trim in the housing.



NOTE:
Grasp the trim as shown. Use the ceiling for support as needed to remove the trim from the housing.