

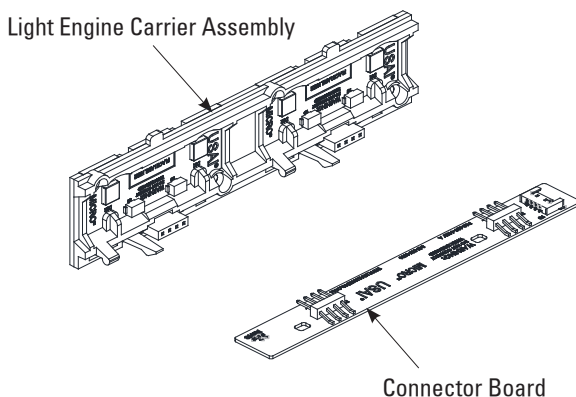
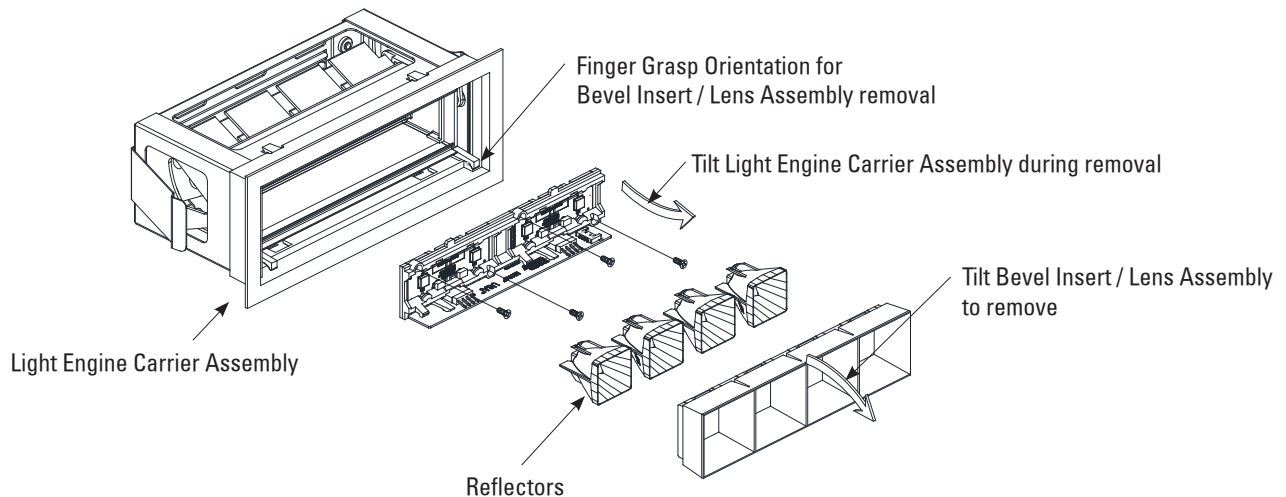
USAI RECESS MULTICELL SERVICE INSTRUCTIONS ADJUSTABLE

CAUTION READ BEFORE INSTALLATION

- Retain these instructions for future reference. This product must be installed by a person familiar with the construction and operation of the product and the hazards involved, in accordance with applicable NEC code.
- Switch off main power before beginning installation.
- Install per national installation and accident prevention regulations.
- Clearance between sides of luminaire and parts of building to be 1/2 inch minimum; clearance to insulating materials to be 3 inch minimum, unless luminaire is IC rated.
- Fixtures must be installed in applications where the ambient temperature does not exceed 40° C during normal operation.
- DO NOT connect or disconnect LED board wire connector when the fixture is energized. This may result in permanent damage to the LED array.
- Warranty claims will not be accepted if incorrect driver or light engine is used.

REFLECTOR AND LIGHT ENGINE REPLACEMENT FOR ADJUSTABLE CAUTION POWER MUST BE OFF

1. Remove trim from housing.
2. Remove the Bevel Insert / Lens Assembly by grasping and tilting in direction shown. Note orientation of Finger Grasps during removal.
3. Reflectors are removed and replaced individually by un-snapping them from the LED/Optics carrier.
4. With all reflectors removed, remove the Light Engine retaining screws using a #1 phillips screwdriver.
5. Tilt and remove the Light Engine Carrier Assembly from the trim body.



6. Unplug the Connector Board(s) from the Light Engine Carrier Assembly leaving the wire harness connected.
7. Reinstall the Connector Boards into the new Light Engine Carrier Assembly.
8. Reassemble the trim in the reverse order.