

USAI RECESS PINHOLE INSTALLATION INSTRUCTIONS NC and IC Housings

CAUTION READ BEFORE INSTALLATION

- Retain these instructions for future reference. This product must be installed by a person familiar with the construction and operation of the product and the hazards involved, in accordance with applicable NEC code.
- Switch off main power before beginning installation.
- Install per national installation and accident prevention regulations.
- Clearance between sides of luminaire and parts of building to be 1/2 inch minimum; clearance to insulating materials to be 3 inch minimum, unless luminaire is IC rated.
- Fixtures must be installed in applications where the ambient temperature does not exceed 40° C during normal operation.
- DO NOT connect or disconnect LED board wire connector when the fixture is energized. This may result in permanent damage to the LED array.
- Warranty claims will not be accepted if incorrect driver or light engine is used.

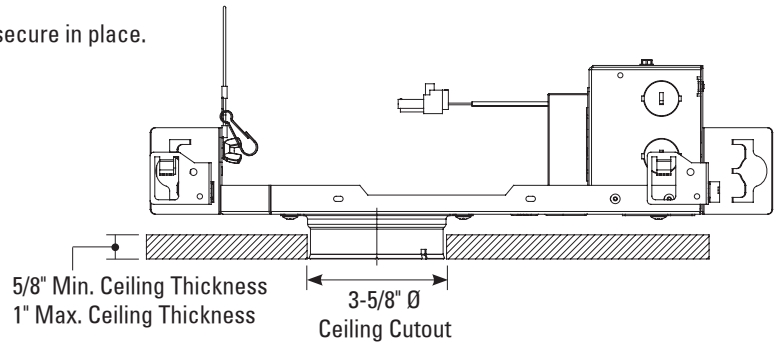
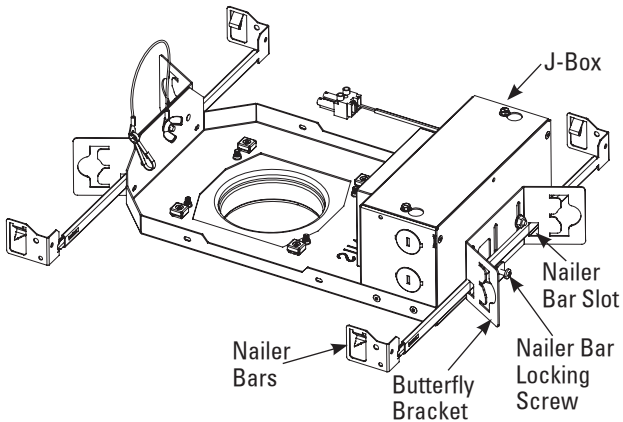
Ceiling Cutout: 3-5/8"Ø

Note: Cutout is the same whether for round or square, trimmed or flush mount applications.

HOUSING INSTALLATION:

NAILER BARS:

To install nailer bars, slide bars thru slots and use nailer bar locks to secure in place.

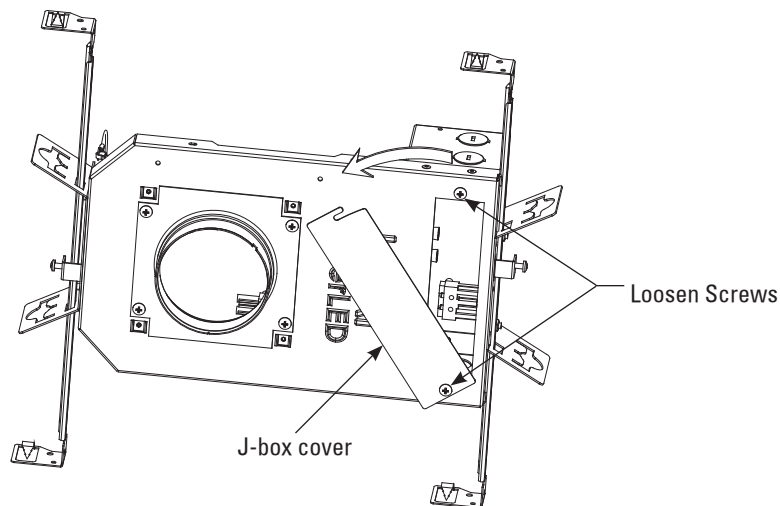


Maximum ceiling thickness is 1".

Make power supply connections in splice compartment (J-BOX). Close access cover and secure.

BOTTOM ACCESS TO J-BOX

- J-box can be accessed from below by loosening (2) screws and rotating cover



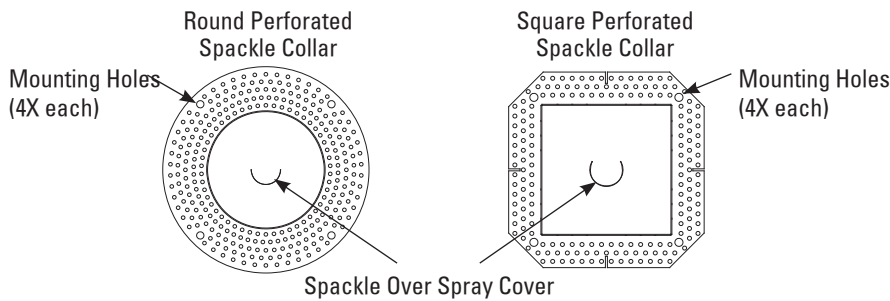
USAI RECESS PINHOLE INSTALLATION INSTRUCTIONS NC and IC Housings

CAUTION READ BEFORE INSTALLATION

- Retain these instructions for future reference. This product must be installed by a person familiar with the construction and operation of the product and the hazards involved, in accordance with applicable NEC code.
- Switch off main power before beginning installation.
- Install per national installation and accident prevention regulations.
- Clearance between sides of luminaire and parts of building to be 1/2 inch minimum; clearance to insulating materials to be 3 inch minimum, unless luminaire is IC rated.
- Fixtures must be installed in applications where the ambient temperature does not exceed 40° C during normal operation.
- **DO NOT** connect or disconnect LED board wire connector when the fixture is energized. This may result in permanent damage to the LED array.
- Warranty claims will not be accepted if incorrect driver or light engine is used.

OPTIONAL SPACKLE COLLAR HOUSING INSTALLATION FOR FLUSH MOUNT APPLICATION IN SHEETROCK:

1. Mount fixture housing according to ceiling type.



NOTE: REMOVE SPACKLE OVER SPRAY COVER AND SET ASIDE

SPACKLE FRAME INSTALLATION:

1. Using the spackle frame template, mark the holes in the ceiling.
2. Using 1/4" diameter bit, carefully drill the mounting holes thru the ceiling only. **DO NOT DRILL INTO THE FIXTURE.**
3. Position spackle frame into aperture hole and attach, utilizing the 8-32 undercut screws.
4. Ensure the spackle / overspray protector is in place.
5. Apply joint compound over plaster frame and feather out accordingly.
6. Once the ceiling has been sanded and painted, remove the overspray protector.
7. Install trim.

