

USAI RECESS 4.5 INSTALLATION INSTRUCTIONS RT Housing

Ceiling Cutout:

Ceiling Cutout: Round: 5-1/2"Ø

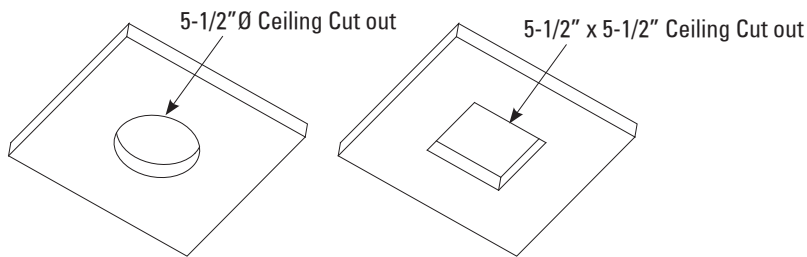
Ceiling Cutout: Square: 5-1/2" x 5-1/2"

CAUTION READ BEFORE INSTALLATION

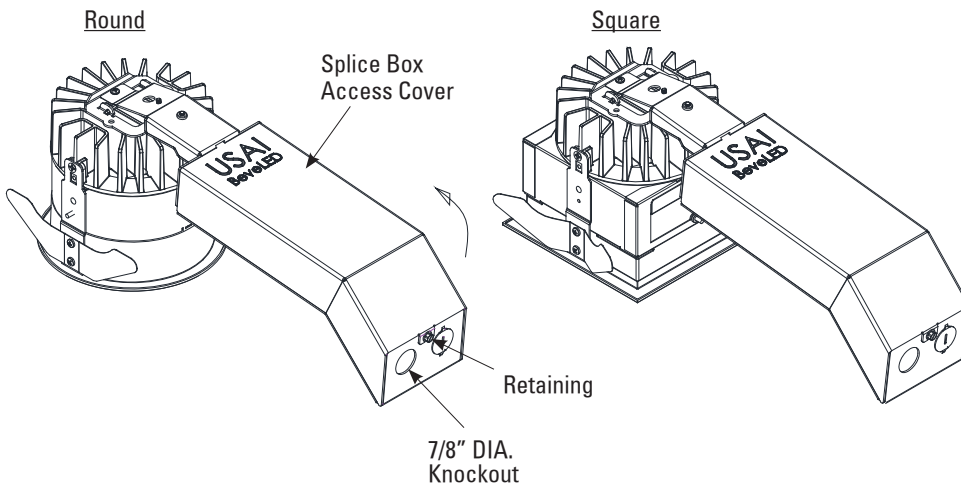
- Retain these instructions for future reference. This product must be installed by a person familiar with the construction and operation of the product and the hazards involved, in accordance with applicable NEC code.
- Switch off main power before beginning installation.
- Install per national installation and accident prevention regulations.
- Clearance between sides of luminaire and parts of building to be 1/2 inch minimum; clearance to insulating materials to be 3 inch minimum, unless luminaire is IC rated.
- Fixtures must be installed in applications where the ambient temperature does not exceed 40° C during normal operation.
- **DO NOT** connect or disconnect LED board wire connector when the fixture is energized. This may result in permanent damage to the LED array.
- Warranty claims will not be accepted if incorrect driver or light engine is used.

INSTALLATION:

1. Switch off main supply before installation. Do not install while power leads are energized.
2. Install per national installation and accident prevention regulations.
3. We will not accept any warranty claims if incorrect driver or light engine is used.
4. Ceiling Cut opening: Round: 5-1/2"Ø, Square: 5-1/2" x 5-1/2"



5. Bring power feed cable through ceiling opening.
Hinge open or remove access cover by loosening mounting screw.
Make power supply connections in splice compartment and re-install access cover and secure.

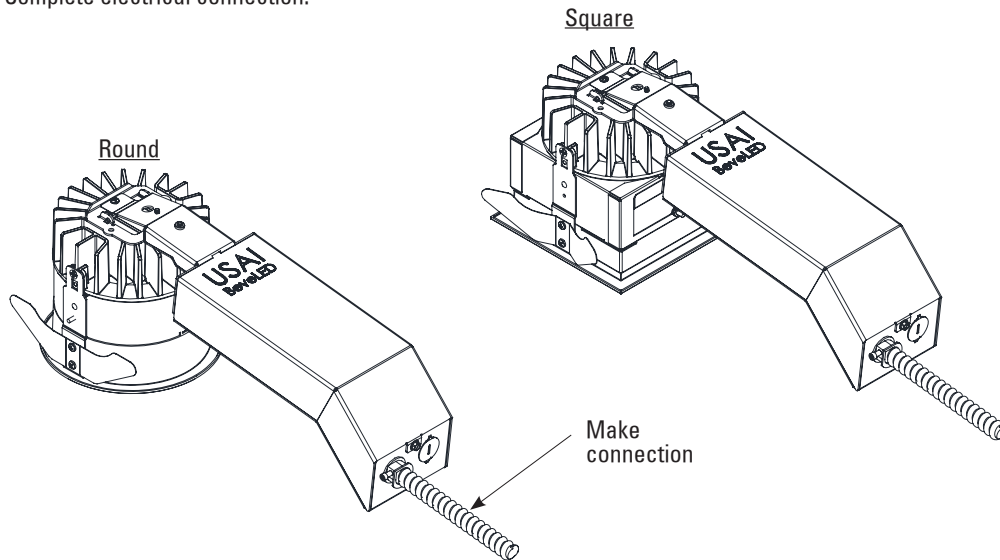


USAI RECESS 4.5 INSTALLATION INSTRUCTIONS RT Housing

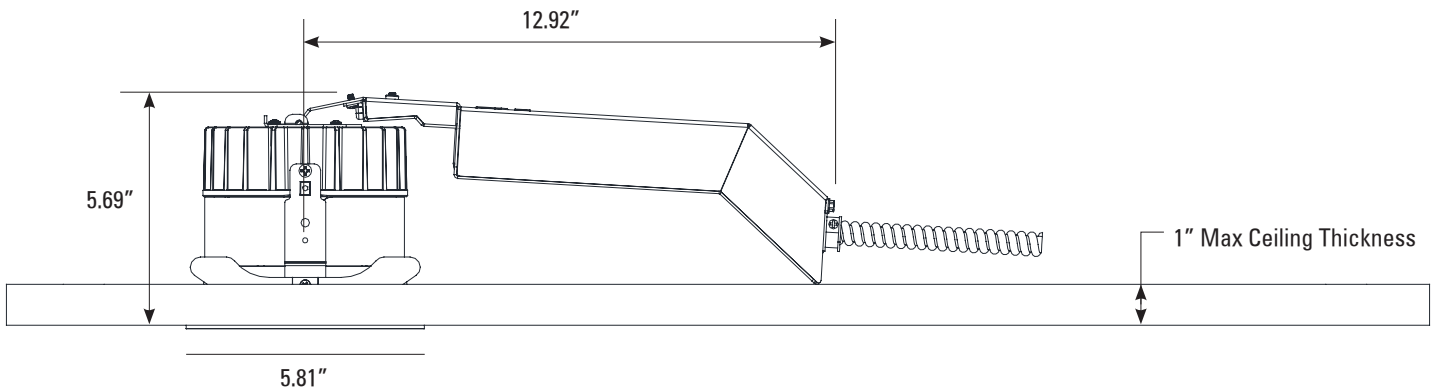
CAUTION READ BEFORE INSTALLATION

- Retain these instructions for future reference. This product must be installed by a person familiar with the construction and operation of the product and the hazards involved, in accordance with applicable NEC code.
- Switch off main power before beginning installation.
- Install per national installation and accident prevention regulations.
- Clearance between sides of luminaire and parts of building to be 1/2 inch minimum; clearance to insulating materials to be 3 inch minimum, unless luminaire is IC rated.
- Fixtures must be installed in applications where the ambient temperature does not exceed 40° C during normal operation.
- DO NOT connect or disconnect LED board wire connector when the fixture is energized. This may result in permanent damage to the LED array.
- Warranty claims will not be accepted if incorrect driver or light engine is used.

6. Complete electrical connection.



FIXTURE DIMENSIONS - DOWNLIGHT & WALL WASH



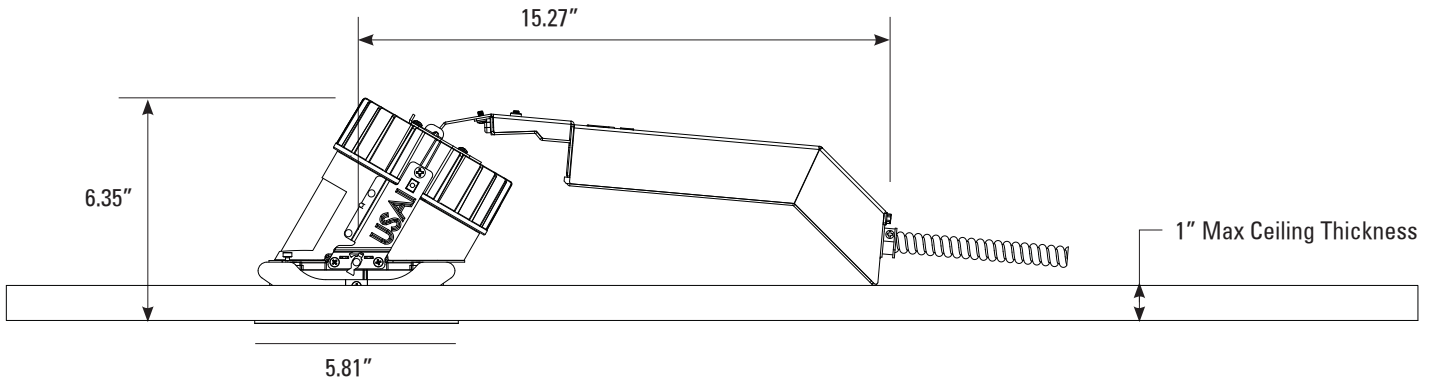
Provide a minimum of 3" away on all sides from combustible materials, and 1/2" away on all sides from non-combustible materials (such as concrete slab). Additional space for installation or service is not required. Do not cover luminaire with insulation or similar material

USAI RECESS 4.5 INSTALLATION INSTRUCTIONS RT Housing

CAUTION READ BEFORE INSTALLATION

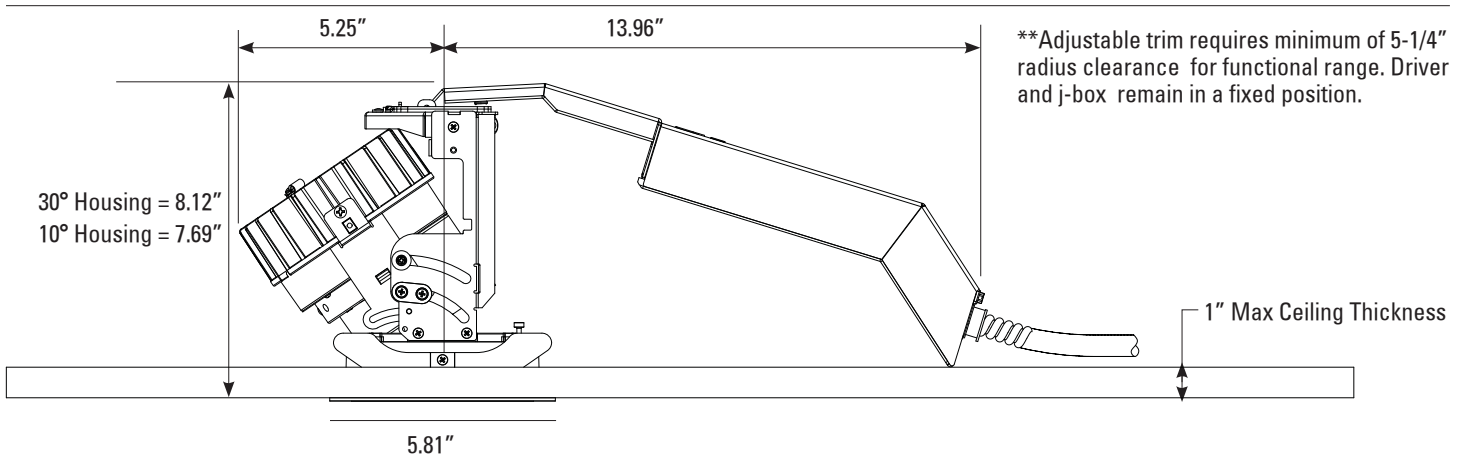
- Retain these instructions for future reference. This product must be installed by a person familiar with the construction and operation of the product and the hazards involved, in accordance with applicable NEC code.
- Switch off main power before beginning installation.
- Install per national installation and accident prevention regulations.
- Clearance between sides of luminaire and parts of building to be 1/2 inch minimum; clearance to insulating materials to be 3 inch minimum, unless luminaire is IC rated.
- Fixtures must be installed in applications where the ambient temperature does not exceed 40° C during normal operation.
- DO NOT connect or disconnect LED board wire connector when the fixture is energized. This may result in permanent damage to the LED array.
- Warranty claims will not be accepted if incorrect driver or light engine is used.

FIXTURE DIMENSIONS - WARM GLOW DIMMING WALL WASH



Provide a minimum of 3" away on all sides from combustible materials, and 1/2" away on all sides from non-combustible materials (such as concrete slab). Additional space for installation or service is not required. Do not cover luminaire with insulation or similar material.

FIXTURE DIMENSIONS - ADJUSTABLE



Provide a minimum of 3" away on all sides from combustible materials, and 1/2" away on all sides from non-combustible materials (such as concrete slab). Additional space for installation or service is not required. Do not cover luminaire with insulation or similar material.

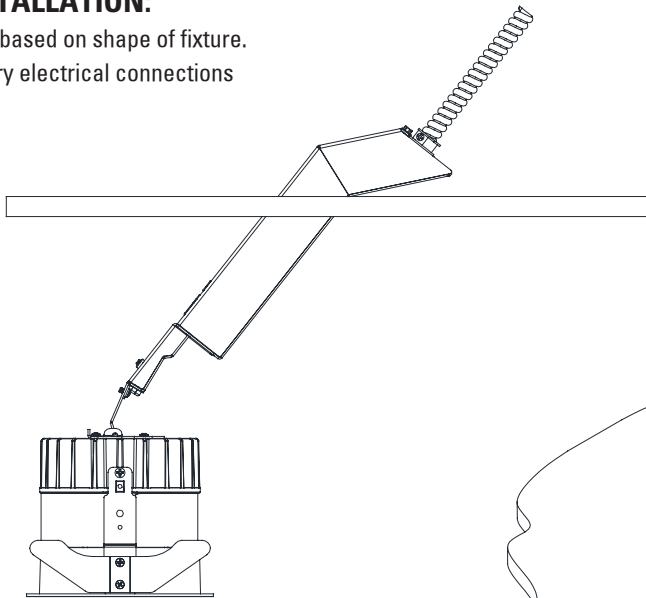
USAI RECESS 4.5 INSTALLATION INSTRUCTIONS RT Housing

CAUTION READ BEFORE INSTALLATION

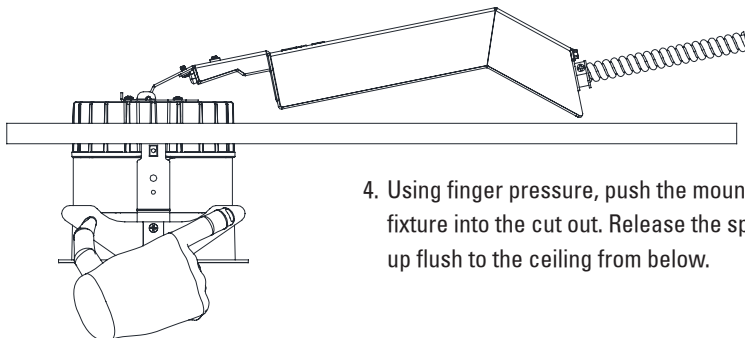
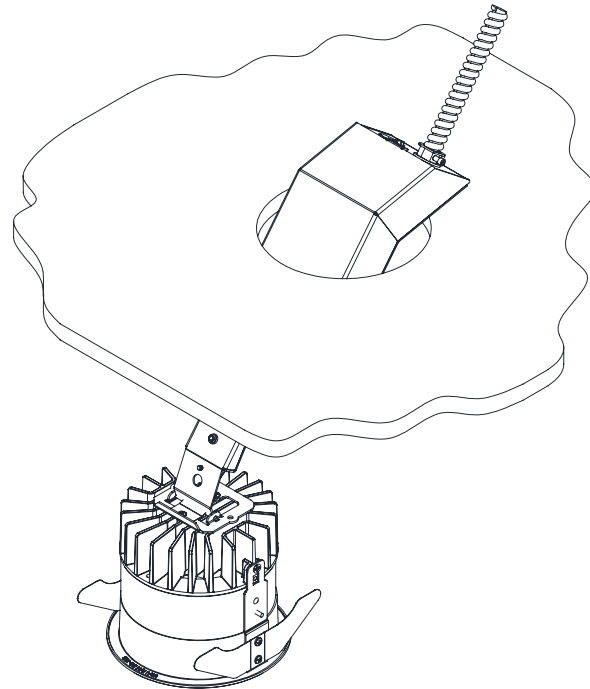
- Retain these instructions for future reference. This product must be installed by a person familiar with the construction and operation of the product and the hazards involved, in accordance with applicable NEC code.
- Switch off main power before beginning installation.
- Install per national installation and accident prevention regulations.
- Clearance between sides of luminaire and parts of building to be 1/2 inch minimum; clearance to insulating materials to be 3 inch minimum, unless luminaire is IC rated.
- Fixtures must be installed in applications where the ambient temperature does not exceed 40° C during normal operation.
- DO NOT connect or disconnect LED board wire connector when the fixture is energized. This may result in permanent damage to the LED array.
- Warranty claims will not be accepted if incorrect driver or light engine is used.

FIXTURE INSTALLATION:

1. Cut out ceiling based on shape of fixture.
2. Make necessary electrical connections



3. Install through the ceiling opening as shown.



4. Using finger pressure, push the mounting springs against the fixture body and raise the fixture into the cut out. Release the springs when the fixture is at a level where it can be pushed up flush to the ceiling from below.

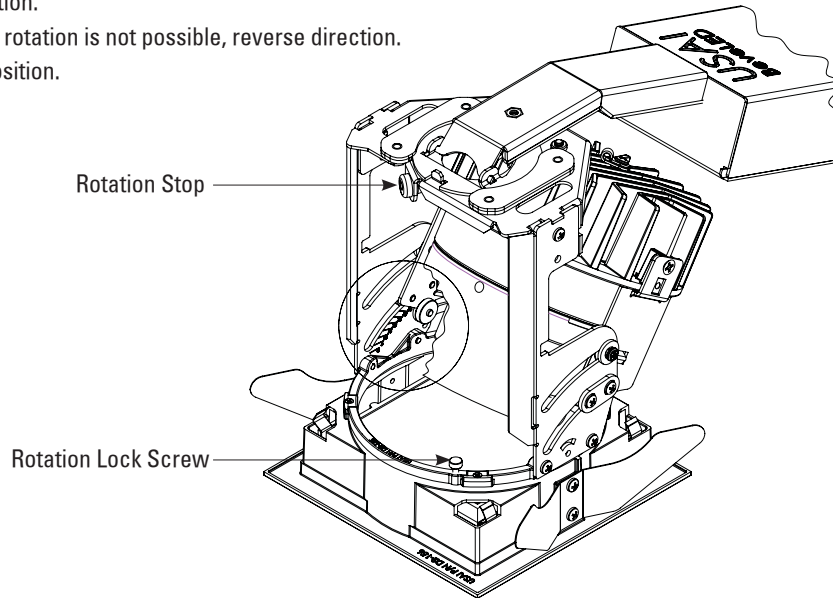
USAI RECESS 4.5 INSTALLATION INSTRUCTIONS RT Housing

CAUTION READ BEFORE INSTALLATION

- Retain these instructions for future reference. This product must be installed by a person familiar with the construction and operation of the product and the hazards involved, in accordance with applicable NEC code.
- Switch off main power before beginning installation.
- Install per national installation and accident prevention regulations.
- Clearance between sides of luminaire and parts of building to be 1/2 inch minimum; clearance to insulating materials to be 3 inch minimum, unless luminaire is IC rated.
- Fixtures must be installed in applications where the ambient temperature does not exceed 40° C during normal operation.
- **DO NOT** connect or disconnect LED board wire connector when the fixture is energized. This may result in permanent damage to the LED array.
- Warranty claims will not be accepted if incorrect driver or light engine is used.

0° - 360° HORIZONTAL AIMING INSTRUCTIONS:

1. Loosen rotation lock screw through aperture (no tool required).
2. Turn to desired horizontal aiming position.
3. This trim has a rotation stop, if further rotation is not possible, reverse direction.
4. Tighten lock screw once in desired position.



0° - 35° VERTICAL AIMING INSTRUCTIONS:

1. Loosen vertical lock screw through aperture (no tool required).
2. Turn to desired vertical aiming position.
3. Use the tilt angle indicators as a reference.
4. Tighten lock screw once in desired position.

