

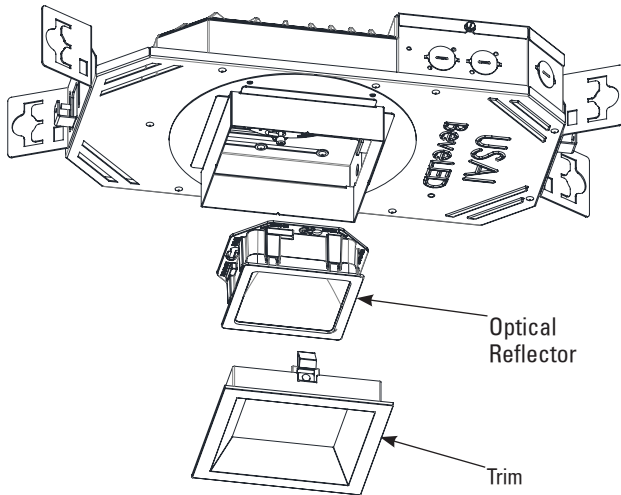
USAI RECESS 4.5 SERVICE INSTRUCTIONS FT and FC Housings

CAUTION READ BEFORE INSTALLATION

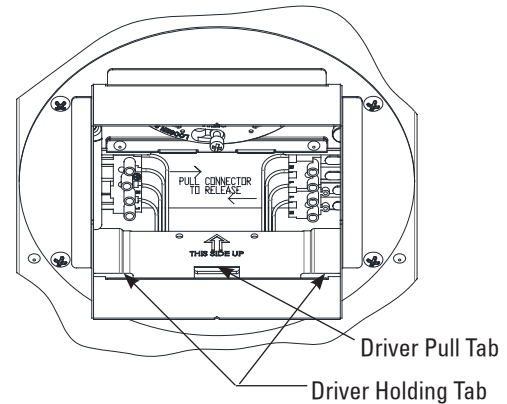
- Retain these instructions for future reference. This product must be installed by a person familiar with the construction and operation of the product and the hazards involved, in accordance with applicable NEC code.
- Switch off main power before beginning installation.
- Install per national installation and accident prevention regulations.
- Clearance between sides of luminaire and parts of building to be 1/2 inch minimum; clearance to insulating materials to be 3 inch minimum, unless luminaire is IC rated.
- Fixtures must be installed in applications where the ambient temperature does not exceed 40° C during normal operation.
- **DO NOT** connect or disconnect LED board wire connector when the fixture is energized. This may result in permanent damage to the LED array.
- Warranty claims will not be accepted if incorrect driver or light engine is used.

DRIVER REPLACEMENT:

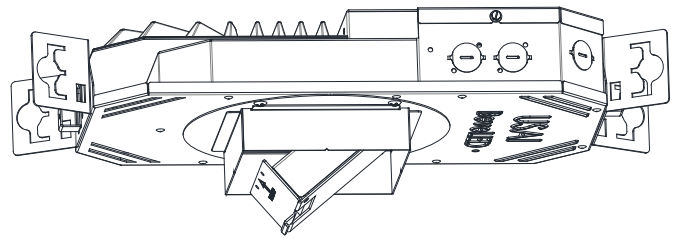
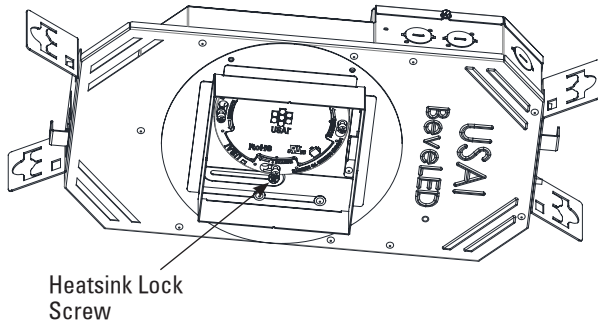
1. Remove trim.
2. Remove optical reflector by 1/4 turn counter clockwise.



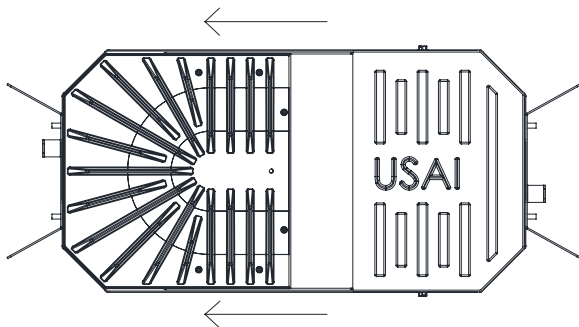
6. Lift driver over driver pull tab and pull through aperture



3. Loosen heat sink shift lock screw, DO NOT REMOVE
4. Shift heat sink away from J-box
5. Disconnect electrical connection



7. Re-install in reverse order



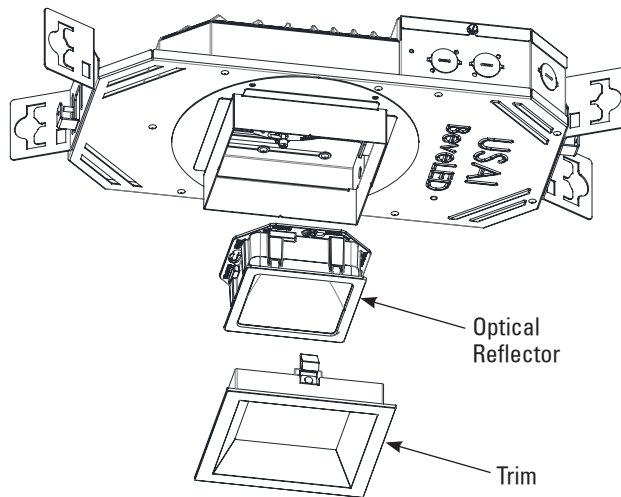
USAI RECESS 4.5 SERVICE INSTRUCTIONS FT and FC Housings

CAUTION READ BEFORE INSTALLATION

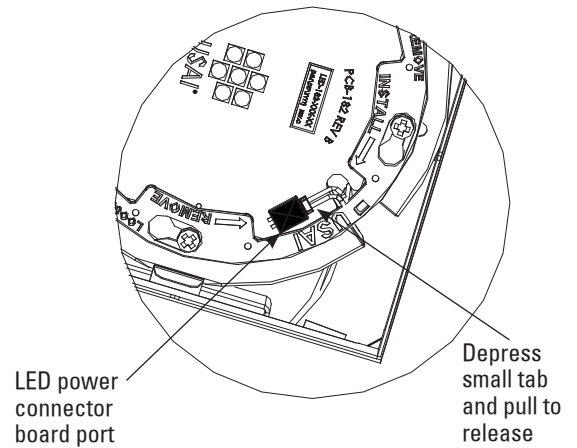
- Retain these instructions for future reference. This product must be installed by a person familiar with the construction and operation of the product and the hazards involved, in accordance with applicable NEC code.
- Switch off main power before beginning installation.
- Install per national installation and accident prevention regulations.
- Clearance between sides of luminaire and parts of building to be 1/2 inch minimum; clearance to insulating materials to be 3 inch minimum, unless luminaire is IC rated.
- Fixtures must be installed in applications where the ambient temperature does not exceed 40° C during normal operation.
- DO NOT connect or disconnect LED board wire connector when the fixture is energized. This may result in permanent damage to the LED array.
- Warranty claims will not be accepted if incorrect driver or light engine is used.

LIGHT ENGINE FIELD REPLACEABLE:

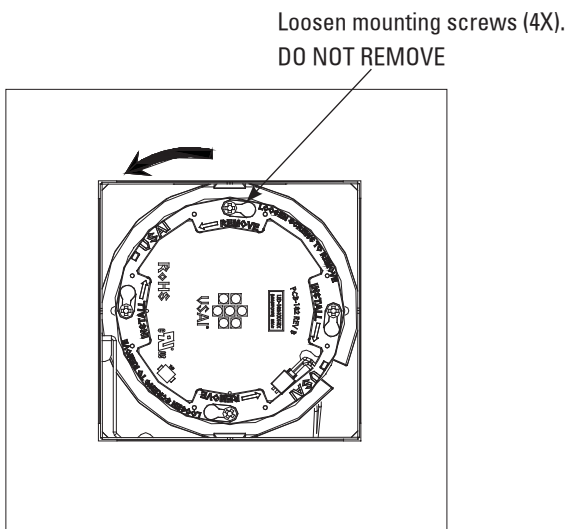
1. Remove trim.
2. Remove optical reflector by rotating through aperture and (1/4 turn) counter clockwise.



3. Remove LED board connector.



4. Loosen mounting screws. DO NOT REMOVE.
5. Rotate Ring/Light Engine assembly as indicated to remove.



6. Pull out light engine, reverse steps to install new light engine.

