

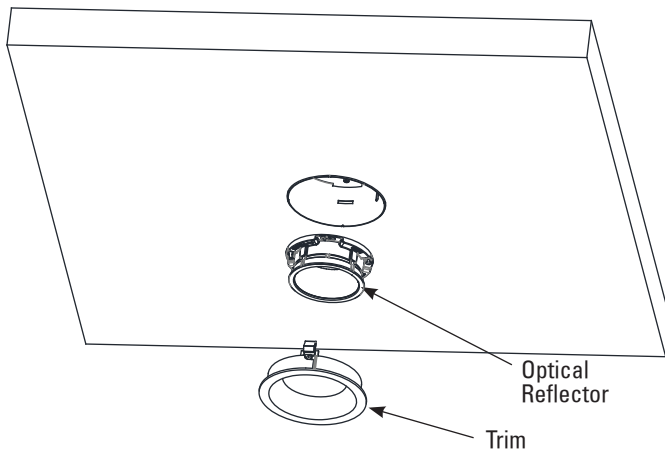
USAI RECESS 4.5 SERVICE INSTRUCTIONS NM Housing

CAUTION READ BEFORE INSTALLATION

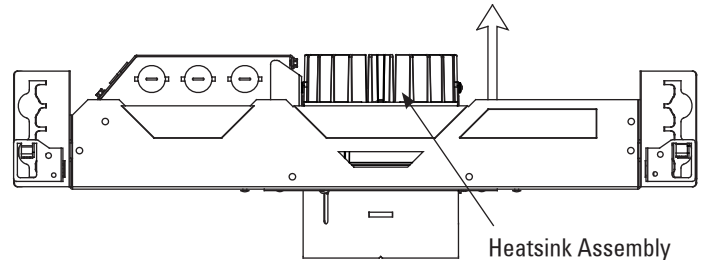
- Retain these instructions for future reference. This product must be installed by a person familiar with the construction and operation of the product and the hazards involved, in accordance with applicable NEC code.
- Switch off main power before beginning installation.
- Install per national installation and accident prevention regulations.
- Clearance between sides of luminaire and parts of building to be 1/2 inch minimum; clearance to insulating materials to be 3 inch minimum, unless luminaire is IC rated.
- Fixtures must be installed in applications where the ambient temperature does not exceed 40° C during normal operation.
- **DO NOT** connect or disconnect LED board wire connector when the fixture is energized. This may result in permanent damage to the LED array.
- Warranty claims will not be accepted if incorrect driver or light engine is used.

DRIVER REPLACEMENT:

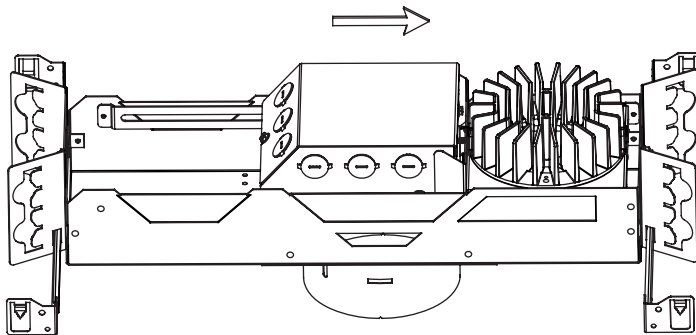
1. Remove trim.
2. Remove optical reflector by 1/4 turn counter clockwise.



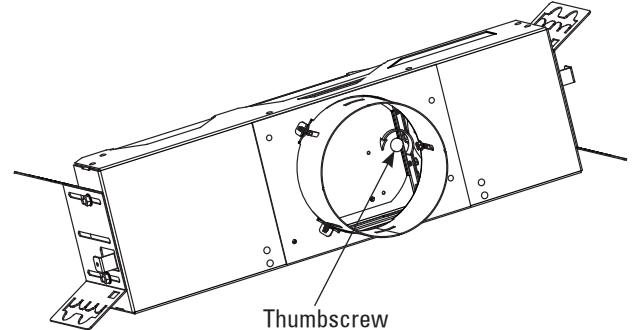
3. Raise heatsink assembly.



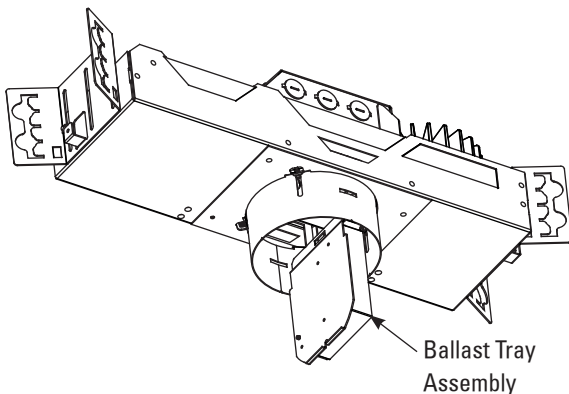
4. Once in raised position, slide entire assembly to service position.



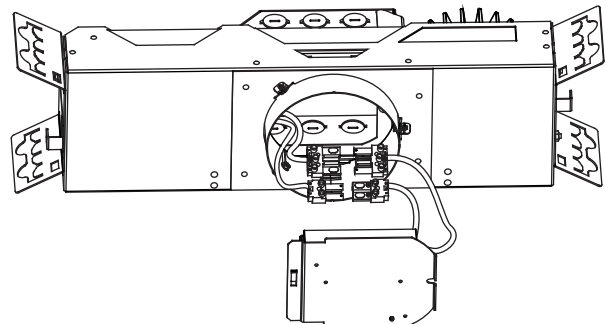
5. Remove ballast assembly by loosening thumbscrew



6. Pull ballast tray assembly through aperture.



7. Disconnect electronic connectors (2, 3 or 4 pin)
8. Connect new driver
9. Install in reverse order.



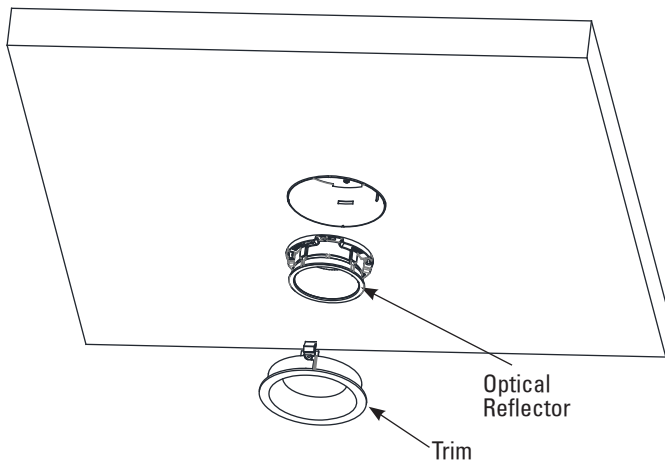
USAI RECESS 4.5 SERVICE INSTRUCTIONS NM Housing

CAUTION READ BEFORE INSTALLATION

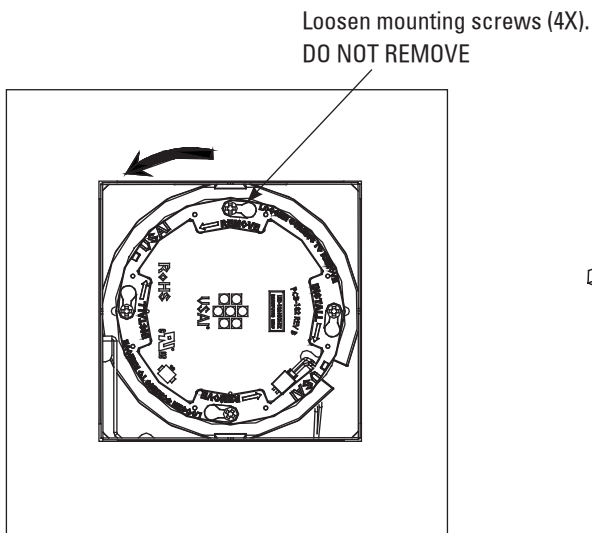
- Retain these instructions for future reference. This product must be installed by a person familiar with the construction and operation of the product and the hazards involved, in accordance with applicable NEC code.
- Switch off main power before beginning installation.
- Install per national installation and accident prevention regulations.
- Clearance between sides of luminaire and parts of building to be 1/2 inch minimum; clearance to insulating materials to be 3 inch minimum, unless luminaire is IC rated.
- Fixtures must be installed in applications where the ambient temperature does not exceed 40° C during normal operation.
- **DO NOT** connect or disconnect LED board wire connector when the fixture is energized. This may result in permanent damage to the LED array.
- Warranty claims will not be accepted if incorrect driver or light engine is used.

LIGHT ENGINE FIELD REPLACEMENT:

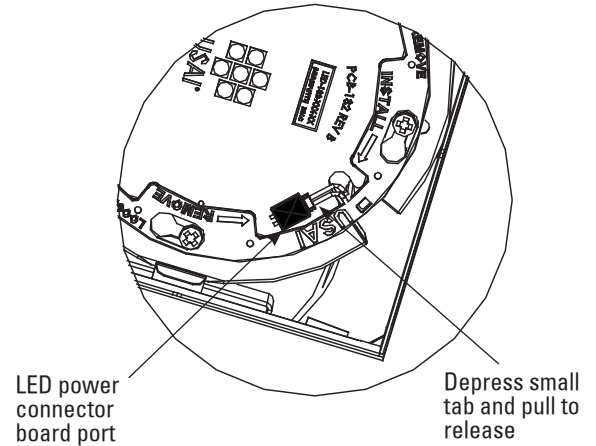
1. Remove trim.
2. Remove optical reflector by rotating through aperture and (1/4 turn) counter clockwise.



4. Loosen mounting screws. DO NOT REMOVE.
5. Rotate Ring/Light Engine assembly as indicated to remove.



3. Remove LED board connector.



6. Pull out light engine and repeat steps to install new light engine.

