

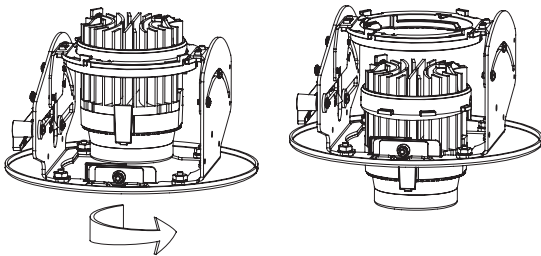
# USAI RECESS 3 SERVICE INSTRUCTIONS NC and IC Housings

## CAUTION READ BEFORE INSTALLATION

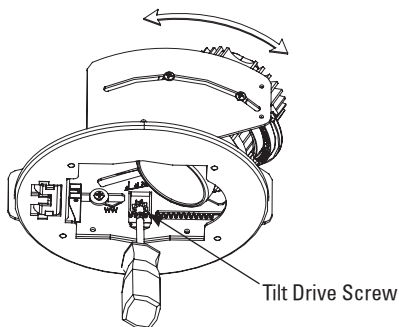
- Retain these instructions for future reference. This product must be installed by a person familiar with the construction and operation of the product and the hazards involved, in accordance with applicable NEC code.
- Switch off main power before beginning installation.
- Install per national installation and accident prevention regulations.
- Clearance between sides of luminaire and parts of building to be 1/2 inch minimum; clearance to insulating materials to be 3 inch minimum, unless luminaire is IC rated.
- Fixtures must be installed in applications where the ambient temperature does not exceed 40° C during normal operation.
- **DO NOT** connect or disconnect LED board wire connector when the fixture is energized. This may result in permanent damage to the LED array.
- Warranty claims will not be accepted if incorrect driver or light engine is used.

### DRIVER REPLACEMENT:

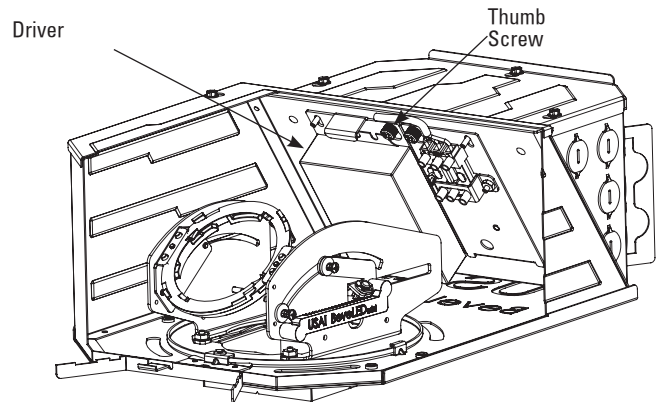
1. Remove trim.
2. Remove light engine by rotating 1/4 turn counter clockwise.



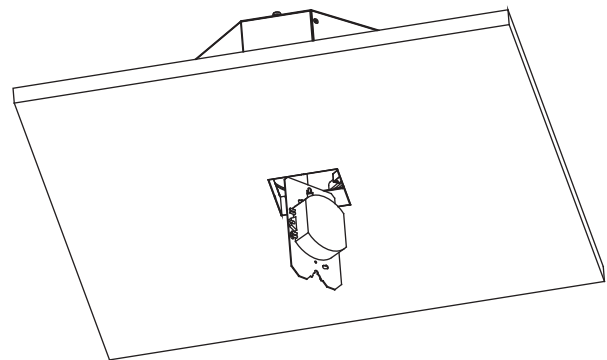
3. Tilt mechanism past 30°. Use a phillips head screwdriver to turn drive screw counter clockwise.



4. Unlock rotation, rotate so the engine mounting bracket tilts away from the driver.
5. Loosen thumb screw. **DO NOT REMOVE.**
6. Lift the ballast plate off mounting hardware.



7. Pull ballast through aperture.



8. Disconnect electrical connection
10. Connect new driver.
11. Install in reverse order.
12. Adjust mechanism to original position.

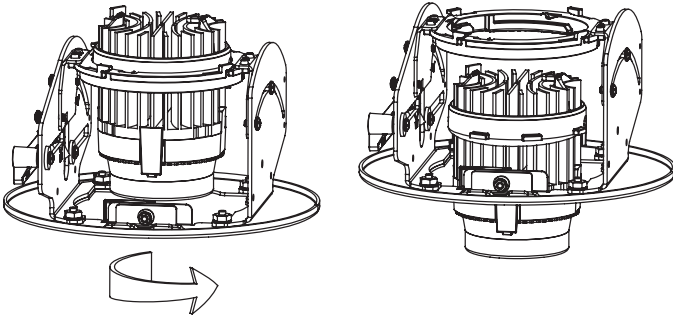
# USAI RECESS 3 SERVICE INSTRUCTIONS NC and IC Housings

## CAUTION READ BEFORE INSTALLATION

- Retain these instructions for future reference. This product must be installed by a person familiar with the construction and operation of the product and the hazards involved, in accordance with applicable NEC code.
- Switch off main power before beginning installation.
- Install per national installation and accident prevention regulations.
- Clearance between sides of luminaire and parts of building to be 1/2 inch minimum; clearance to insulating materials to be 3 inch minimum, unless luminaire is IC rated.
- Fixtures must be installed in applications where the ambient temperature does not exceed 40° C during normal operation.
- **DO NOT** connect or disconnect LED board wire connector when the fixture is energized. This may result in permanent damage to the LED array.
- Warranty claims will not be accepted if incorrect driver or light engine is used.

### LIGHT ENGINE REPLACEMENT:

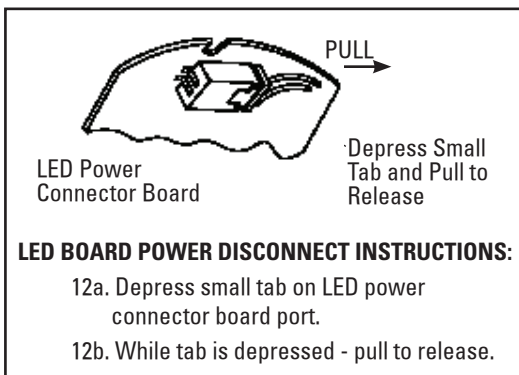
1. Remove trim from housing
2. Remove light engine by rotating (1/4 turn) counter clockwise.



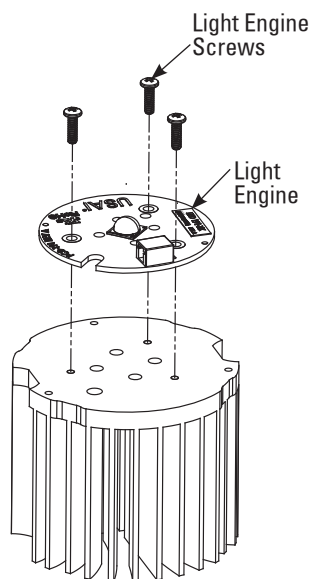
3. Remove connector bracket from ballast-slider plate by loosening wing nuts.  
**DO NOT REMOVE WING NUTS.**

4. Disconnect electrical connection (2-pin connector)
5. Disconnect safety cable
6. Remove optic
7. Remove LED board connector

### LED REPLACEMENT:



8. Remove (3) light engine screws with Phillips screwdriver
9. Remove Light Engine
10. Install new Light Engine (3 screws)
11. Connect LED board connector
12. Install safety cable
13. Make electrical connection (2 pin connector).
14. Reinstall light engine into engine receptical and rotate clockwise until engine clicks into place.
15. Install trim into housing.



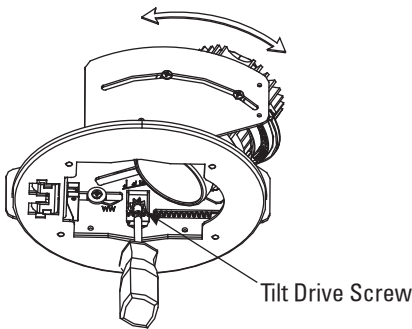
# USAI RECESS 3 SERVICE INSTRUCTIONS NC and IC Housings

## CAUTION READ BEFORE INSTALLATION

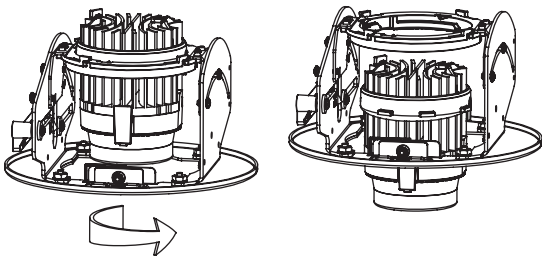
- Retain these instructions for future reference. This product must be installed by a person familiar with the construction and operation of the product and the hazards involved, in accordance with applicable NEC code.
- Switch off main power before beginning installation.
- Install per national installation and accident prevention regulations.
- Clearance between sides of luminaire and parts of building to be 1/2 inch minimum; clearance to insulating materials to be 3 inch minimum, unless luminaire is IC rated.
- Fixtures must be installed in applications where the ambient temperature does not exceed 40° C during normal operation.
- DO NOT connect or disconnect LED board wire connector when the fixture is energized. This may result in permanent damage to the LED array.
- Warranty claims will not be accepted if incorrect driver or light engine is used.

### OPTICS REPLACEMENT:

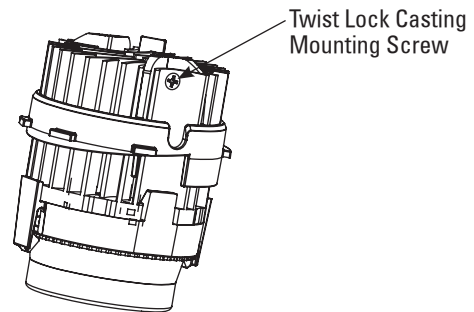
1. Remove trim.
2. Return light engine to vertical position.



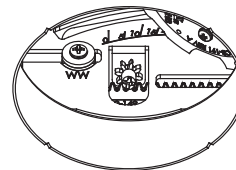
3. Remove light engine by 1/4 turn counter clockwise.



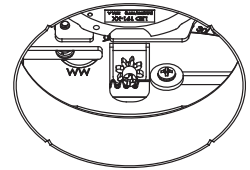
4. Remove twist lock casting mounting screws.



5. Move twist lock casting to desired position (see next page) and re-install twist lock casting mounting screws.
6. Install desired optics.
7. Replace light engine into receptacle with 1/4 turn clockwise.
8. Tilt fixture to desired position.



Wall Wash



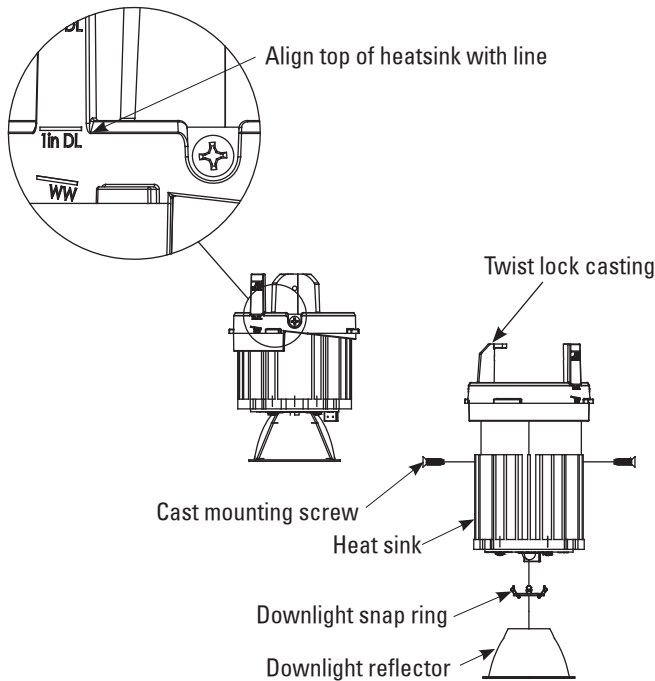
Downlight

**USAI RECESS 3  
SERVICE INSTRUCTIONS  
NC and IC Housings**

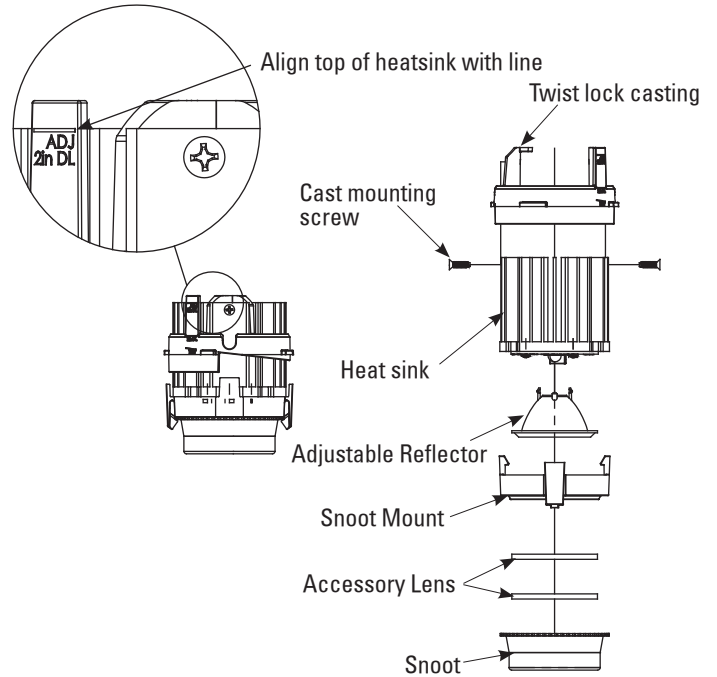
**CAUTION READ BEFORE INSTALLATION**

- Retain these instructions for future reference.. This product must be installed by a person familiar with the construction and operation of the product and the hazards involved, in accordance with applicable NEC code.
- Switch off main power before beginning installation.
- Install per national installation and accident prevention regulations.
- Clearance between sides of luminaire and parts of building to be 1/2 inch minimum; clearance to insulating materials to be 3 inch minimum, unless luminaire is IC rated.
- Fixtures must be installed in applications where the ambient temperature does not exceed 40° C during normal operation.
- DO NOT connect or disconnect LED board wire connector when the fixture is energized. This may result in permanent damage to the LED array.
- Warranty claims will not be accepted if incorrect driver or light engine is used.

**1" REGRESS TRIM DOWNLIGHT POSITION**



**ADJUSTABLE POSITION**



**WALL WASH POSITION**

