

USAI RECESS 3 INSTALLATION INSTRUCTIONS RT Housing

CAUTION READ BEFORE INSTALLATION

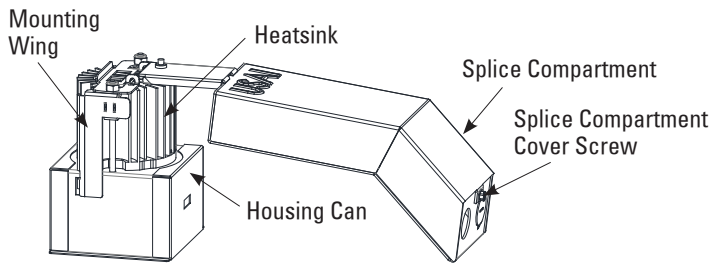
- Retain these instructions for future reference. This product must be installed by a person familiar with the construction and operation of the product and the hazards involved, in accordance with applicable NEC code.
- Switch off main power before beginning installation.
- Install per national installation and accident prevention regulations.
- Clearance between sides of luminaire and parts of building to be 1/2 inch minimum; clearance to insulating materials to be 3 inch minimum, unless luminaire is IC rated.
- Fixtures must be installed in applications where the ambient temperature does not exceed 40° C during normal operation.
- DO NOT connect or disconnect LED board wire connector when the fixture is energized. This may result in permanent damage to the LED array.
- Warranty claims will not be accepted if incorrect driver or light engine is used.

Ceiling Cutout: Round: 3-5/8"Ø

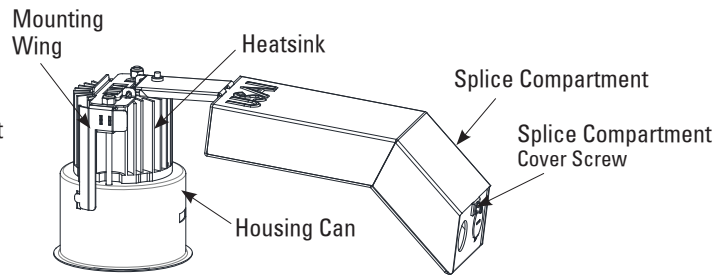
Ceiling Cutout: Square: 3-5/8" x 3-5/8"

INSTALLATION:

1. Pull down power supply through ceiling opening
2. open splice compartment by loosening screw and hinge cover open.

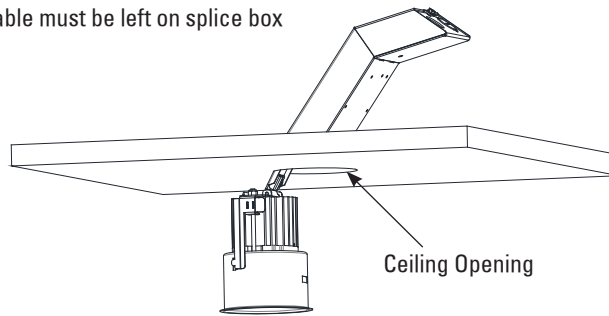


RT Square



RT Round

3. Make power supply connections in splice compartment
Important: an additional 12" of power supply cable must be left on splice box to allow fixture to pull below ceiling
4. Reinstall splice cover and secure
5. Insert fixture into ceiling opening



6. Use a Phillips screwdriver and rotate the wing mounting screws to move wing outward and squeeze fixture between ceiling.

7. Install Trim

