

USAI RECESS 3 INSTALLATION INSTRUCTIONS FT and FC Housings

Required tools:

- #2 Phillips driver
- 11/32" Combo wrench or hex driver
- 1/4" hex driver (optional)

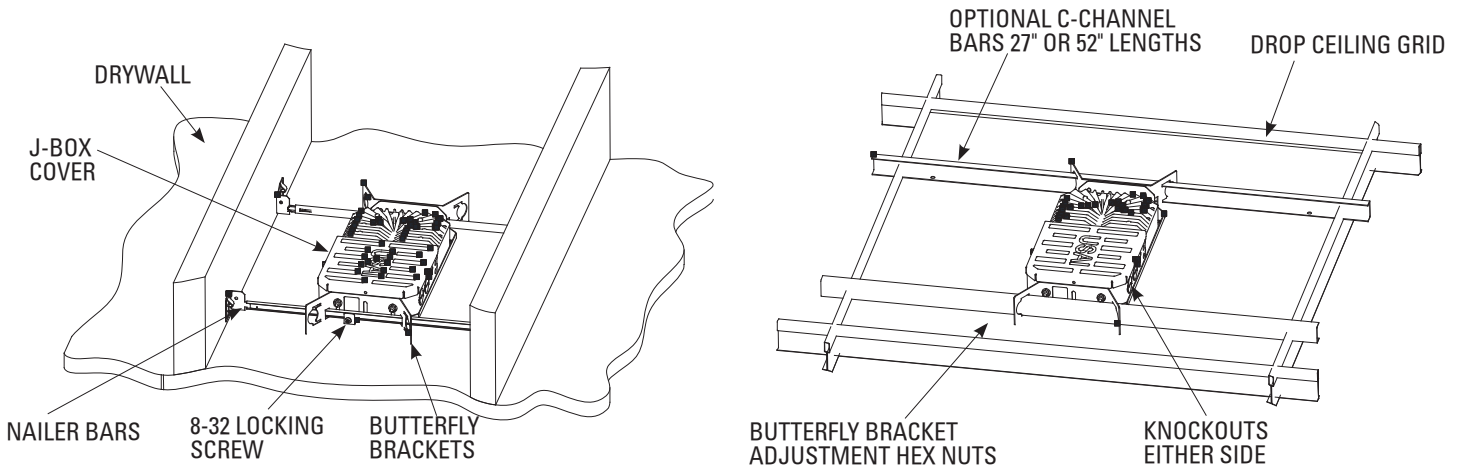
Ceiling Cutout:

Round plaster frame: ○ 4-3/16" Round flanged & millwork: ○ 3-5/8"

Square plaster frame: □ 4-1/16" Square flanged & millwork: □ 3-1/2"

CAUTION READ BEFORE INSTALLATION

- Retain these instructions for future reference. This product must be installed by a person familiar with the construction and operation of the product and the hazards involved, in accordance with applicable NEC code.
- Switch off main power before beginning installation.
- Install per national installation and accident prevention regulations.
- Clearance between sides of luminaire and parts of building to be 1/2 inch minimum; clearance to insulating materials to be 3 inch minimum, unless luminaire is IC rated.
- Fixtures must be installed in applications where the ambient temperature does not exceed 40° C during normal operation.
- DO NOT connect or disconnect LED board wire connector when the fixture is energized. This may result in permanent damage to the LED array.
- Warranty claims will not be accepted if incorrect driver or light engine is used.



HOUSING INSTALLATION:

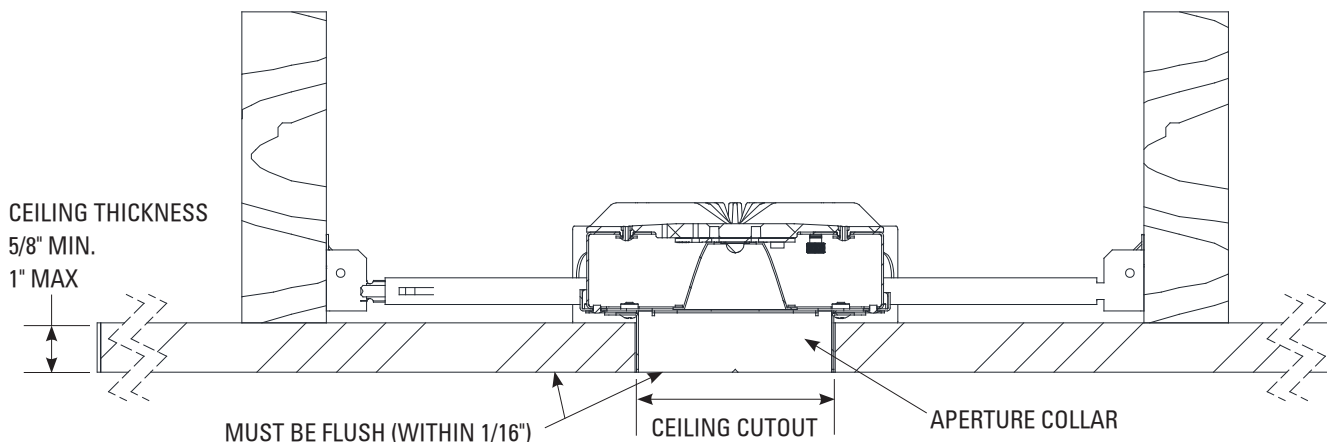
1. Fixture housing mounting may vary by ceiling type:

- Nailer bars are supplied as the standard mounting means and are typically used in drywall applications. These are extendible from 14 - 24" centers. To install, slide bars through square slots in butterfly brackets and then lock in place with 8-32 screws.
- C-channels, shown in right view, are optional and are typically used in drop-ceiling applications.

2. Adjust height of fixture so that the aperture collar is flush with room side of ceiling. Use 11/32" combo wrench or hex driver to loosen hex nuts holding butterfly brackets in place. Set proper height, then re-tighten nuts until secure. See view below.

3. Install power feed through knockouts provided in j-box compartment indicated above.

4. Use Phillips driver or 1/4" hex driver to loosen j-box compartment screws and slide cover off. Make necessary power supply connections inside and then re-install j-box cover.



USAI RECESS 3 INSTALLATION INSTRUCTIONS FT and FC Housings

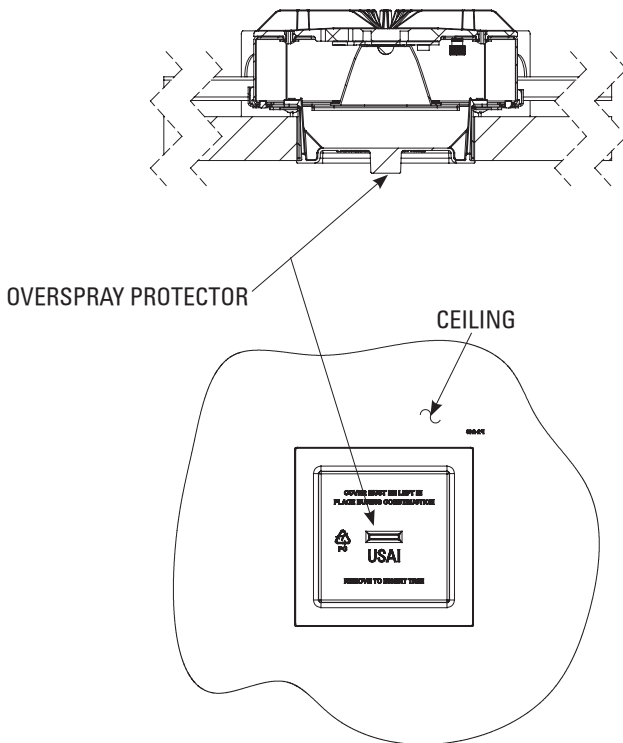
CAUTION READ BEFORE INSTALLATION

- Retain these instructions for future reference. This product must be installed by a person familiar with the construction and operation of the product and the hazards involved, in accordance with applicable NEC code.
- Switch off main power before beginning installation.
- Install per national installation and accident prevention regulations.
- Clearance between sides of luminaire and parts of building to be 1/2 inch minimum; clearance to insulating materials to be 3 inch minimum, unless luminaire is IC rated.
- Fixtures must be installed in applications where the ambient temperature does not exceed 40° C during normal operation.
- **DO NOT** connect or disconnect LED board wire connector when the fixture is energized. This may result in permanent damage to the LED array.
- Warranty claims will not be accepted if incorrect driver or light engine is used.

Fixture housing mounting may vary by ceiling type:

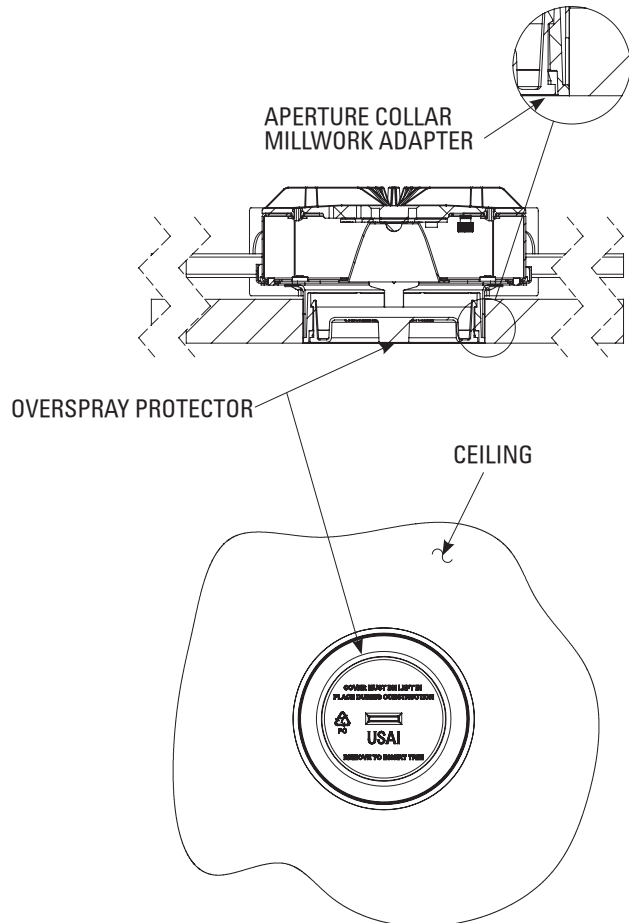
FLANGED HOUSING INSTALLATION:

1. Ensure the housing has been properly secured and the aperture collar is flush with the room side of the ceiling.
2. Ensure the plastic, in-use, overspray/spackle protectors are in place and properly covering the aperture (see below).
3. Once the ceiling has been painted, then the overspray protector can be removed and recycled. Next see trim installation sheet.



MILLWORK HOUSING INSTALLATION:

1. Ensure the housing has been properly secured and the aperture collar with millwork adapter is flush with the room side of the ceiling (see below). Verify the millwork aperture cutout size.
2. Ensure the plastic, in-use, overspray/spackle protectors are in place and properly covering the aperture (see below).
3. Once the ceiling has been painted, then the overspray protector can be removed and recycled. Next see trim installation sheet.



USAI RECESS 3 INSTALLATION INSTRUCTIONS FT and FC Housings

Required tools:

- Power drill
- 1/4" drill bit
- #2 Phillips driver

CAUTION READ BEFORE INSTALLATION

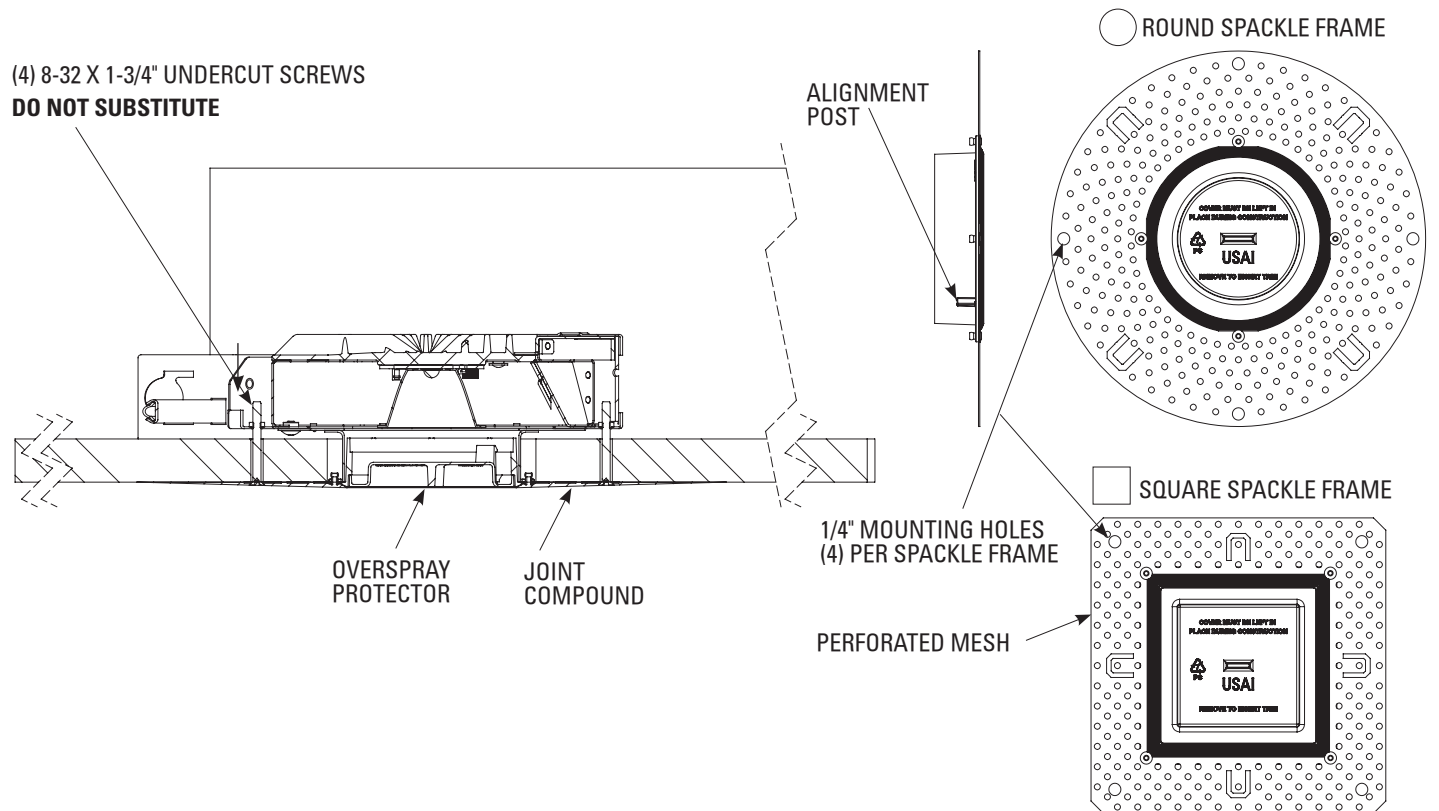
- Retain these instructions for future reference. This product must be installed by a person familiar with the construction and operation of the product and the hazards involved, in accordance with applicable NEC code.
- Switch off main power before beginning installation.
- Install per national installation and accident prevention regulations.
- Clearance between sides of luminaire and parts of building to be 1/2 inch minimum; clearance to insulating materials to be 3 inch minimum, unless luminaire is IC rated.
- Fixtures must be installed in applications where the ambient temperature does not exceed 40° C during normal operation.
- **DO NOT** connect or disconnect LED board wire connector when the fixture is energized. This may result in permanent damage to the LED array.
- Warranty claims will not be accepted if incorrect driver or light engine is used.

SPACKLE FRAME INSTALLATION:

Note: The round spackle frames are unidirectional and must be installed correctly prior to applying joint compound.

See note #2 below for more info.

1. Before starting, ensure the housing has been properly secured and the aperture collar is flush with the room side of the ceiling. Verify the plaster frame ceiling cutout size.
 2. Using the spackle frame provided, position the frame into the aperture collar and mark the 1/4" mounting hole locations on the ceiling to ensure proper alignment to the fixture.
 - Round spackle frames have two alignment posts, on opposite ends of the frame, that fit inside the slots on the aperture collar.
 - Square frames are self-aligning.
 3. Using a 1/4" drill bit, carefully drill the mounting holes, 90deg to ceiling plane, through the ceiling depth only.
 4. Reposition the frame in the aperture collar and secure to fixture housing using the four (4) 8-32 x 1-3/4" undercut countersink screws provided. (Must be used, do not substitute)
 5. Ensure the plastic, in-use, overspray/spackle protectors are in place and properly covering the aperture.
 6. Apply joint compound to the perforated mesh and feather out for a clean finish.
 7. Once the ceiling has been sanded and painted, then the overspray protector can be removed and recycled.
- Next see trim installation sheet.



USAI RECESS 3 INSTALLATION INSTRUCTIONS FT and FC Housings

Required tools:

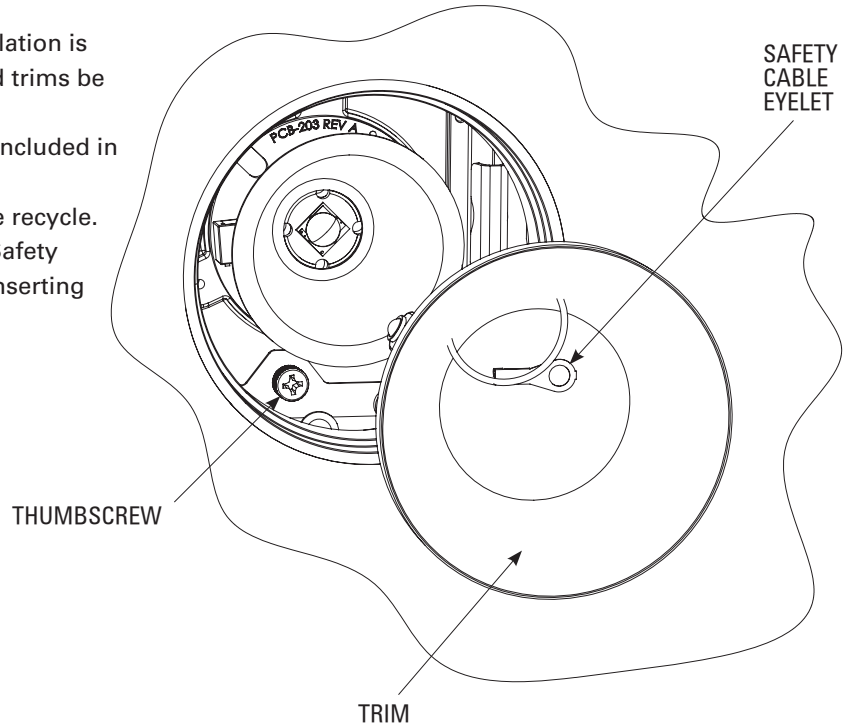
- #2 Phillips driver

CAUTION READ BEFORE INSTALLATION

- Retain these instructions for future reference. This product must be installed by a person familiar with the construction and operation of the product and the hazards involved, in accordance with applicable NEC code.
- Switch off main power before beginning installation.
- Install per national installation and accident prevention regulations.
- Clearance between sides of luminaire and parts of building to be 1/2 inch minimum; clearance to insulating materials to be 3 inch minimum, unless luminaire is IC rated.
- Fixtures must be installed in applications where the ambient temperature does not exceed 40° C during normal operation.
- **DO NOT** connect or disconnect LED board wire connector when the fixture is energized. This may result in permanent damage to the LED array.
- Warranty claims will not be accepted if incorrect driver or light engine is used.

TRIM INSTALLATION:

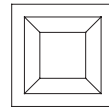
1. It is recommended that only after the ceiling installation is completed, including sanding and painting, should trims be installed.
2. See specific trim installation instructions by type, included in trim boxes, for complete installation guidelines.
3. Remove the plastic overspray protector and please recycle.
4. For plaster frame and millwork trims, attach trim Safety cables to the thumbscrew inside aperture before inserting trims.



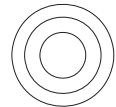
SQUARE PLASTER FRAME
& MILLWORK



ROUND PLASTER FRAME
& MILLWORK



SQUARE FLANGED



ROUND FLANGED

