

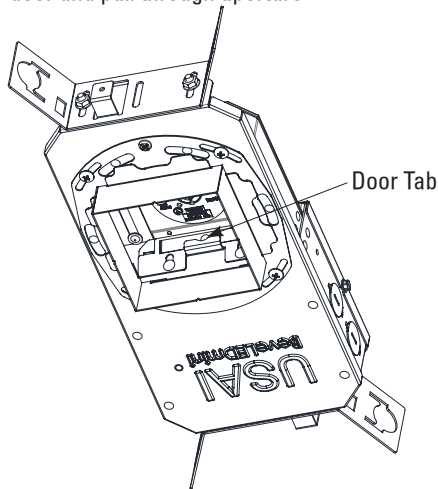
USAI RECESS 3 SERVICE INSTRUCTIONS FT and FC Housings

CAUTION READ BEFORE INSTALLATION

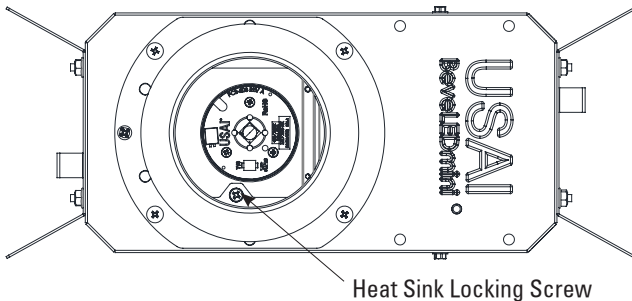
- Retain these instructions for future reference. This product must be installed by a person familiar with the construction and operation of the product and the hazards involved, in accordance with applicable NEC code.
- Switch off main power before beginning installation.
- Install per national installation and accident prevention regulations.
- Clearance between sides of luminaire and parts of building to be 1/2 inch minimum; clearance to insulating materials to be 3 inch minimum, unless luminaire is IC rated.
- Fixtures must be installed in applications where the ambient temperature does not exceed 40° C during normal operation.
- DO NOT connect or disconnect LED board wire connector when the fixture is energized. This may result in permanent damage to the LED array.
- Warranty claims will not be accepted if incorrect driver or light engine is used.

DRIVER REPLACEMENT:

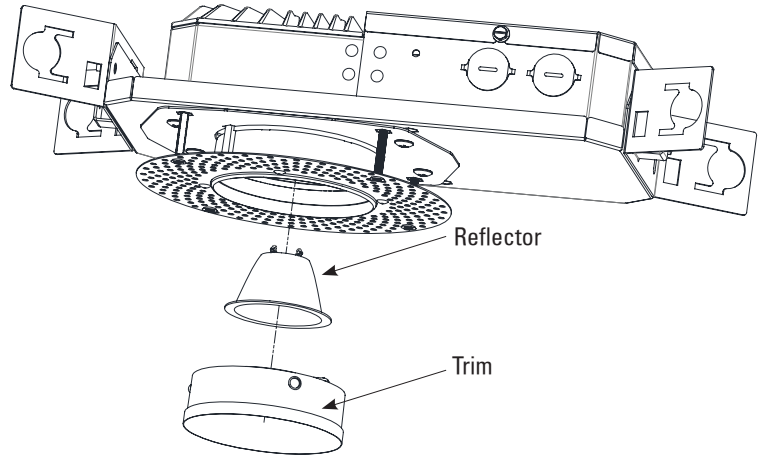
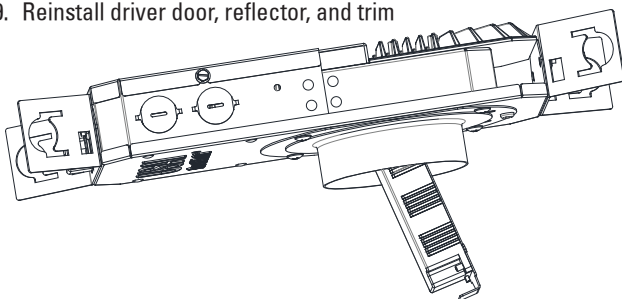
1. Remove trim
2. Pull reflector to dismount
3. Pull junction box door tab to release junction box door and pull through aperture



4. Loosen heatsink locking screw and shift heat sink away from junction box

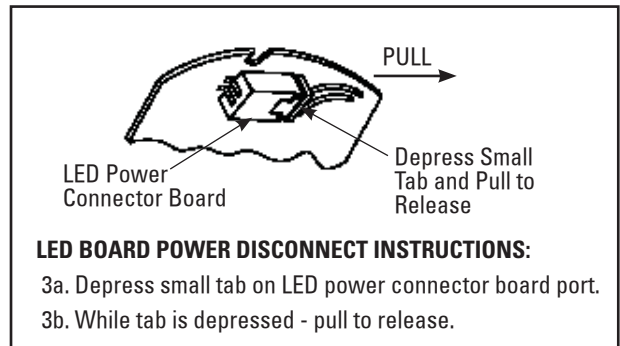


5. Pull driver through aperture
6. Unplug driver disconnects
7. Connect new driver and reinstall driver into junction box
8. Shift heat sink back into place and tighten thumb screw
9. Reinstall driver door, reflector, and trim



LIGHT ENGINE REPLACEMENT:

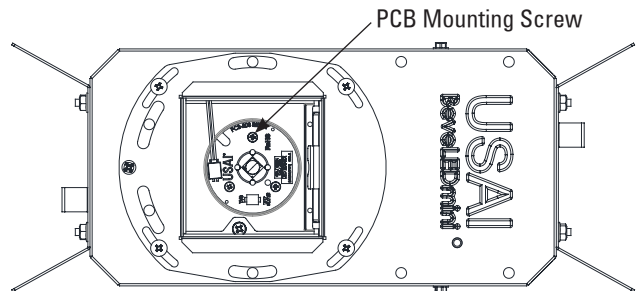
1. Remove Trim from housing
2. Pull reflector to dismount
3. Remove LED board connector



LED BOARD POWER DISCONNECT INSTRUCTIONS:

- 3a. Depress small tab on LED power connector board port.
- 3b. While tab is depressed - pull to release.

4. Remove (3) light engine screws with Phillips screwdriver



5. Remove light engine
6. Install light engine(3 screws)
7. Connect LED board connector
8. Reinstall trim into housing