

USAI RECESS 3 INSTALLATION INSTRUCTIONS Trims

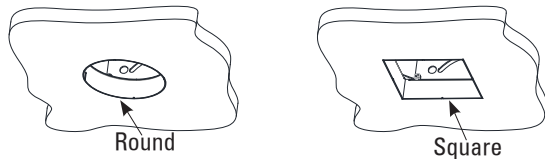
CAUTION READ BEFORE INSTALLATION

- Retain these instructions for future reference. This product must be installed by a person familiar with the construction and operation of the product and the hazards involved, in accordance with applicable NEC code.
- Switch off main power before beginning installation.
- Install per national installation and accident prevention regulations.
- Clearance between sides of luminaire and parts of building to be 1/2 inch minimum; clearance to insulating materials to be 3 inch minimum, unless luminaire is IC rated.
- Fixtures must be installed in applications where the ambient temperature does not exceed 40° C during normal operation.
- DO NOT connect or disconnect LED board wire connector when the fixture is energized. This may result in permanent damage to the LED array.
- Warranty claims will not be accepted if incorrect driver or light engine is used.

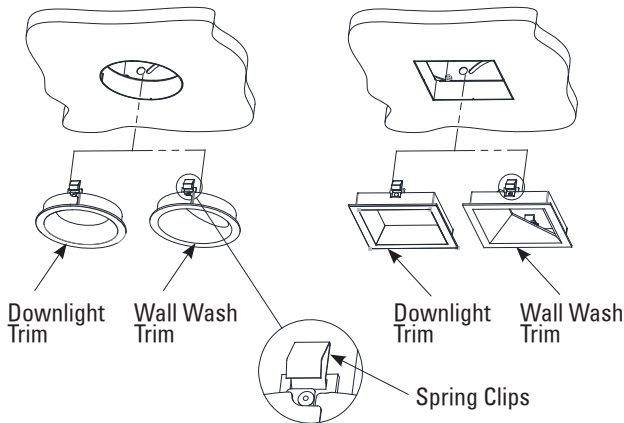
After housing is properly installed follow these steps to insert trim.

FLANGED TRIM INSTALLATION:

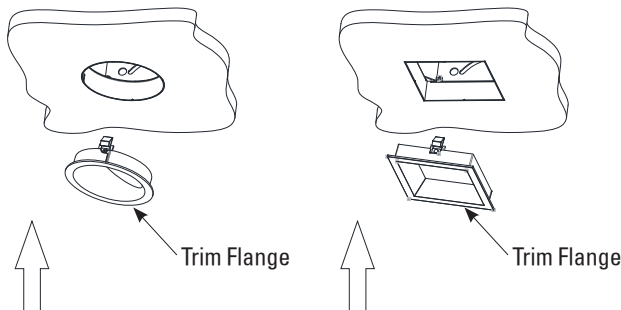
STEP 1: Ensure ceiling adapters are properly installed and ready for trim insertion. Trims install into adapters shown below:



STEP 2: Unbox and identify trims to be installed. Downlight trims may be inserted in any orientation. Wall Wash trim slope must be parallel to the slope of the optical reflector.



STEP 3: Line trims up with aperture so both spring clips are positioned inside. Then push up directly on trims until flange is snug against ceiling.



STEP 4: Ensure trim is seated properly on all sides. The trim flange should be flush with the ceiling.



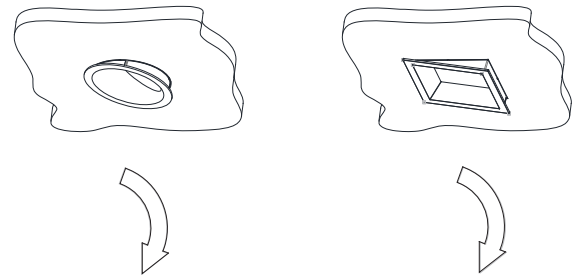
To remove trim from ceiling follow these steps.

REMOVAL:

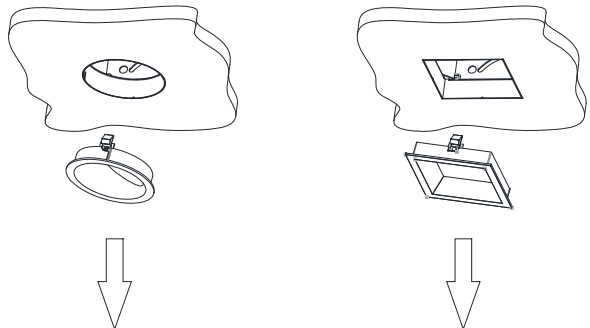
STEP 1: Identify trims to be removed and locate outer flange. Downlight trims can be removed on any side, but Wall Wash trim removal is easiest at high and low slope points.



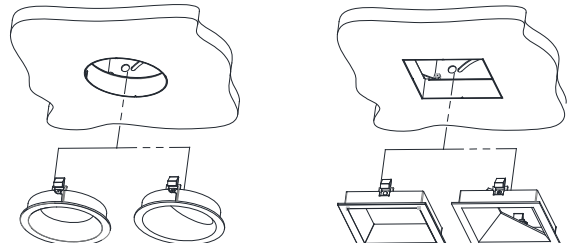
STEP 2: Using a finger, pull down on outer flange until you are able to insert finger to pull the trim straight down.



STEP 3: Firmly pull straight down to compress spring clips until they exit aperture.



STEP 4: Trims should now be completely separated from fixture aperture. See Installation steps to reinstall.



USAI RECESS 3 INSTALLATION INSTRUCTIONS Trims

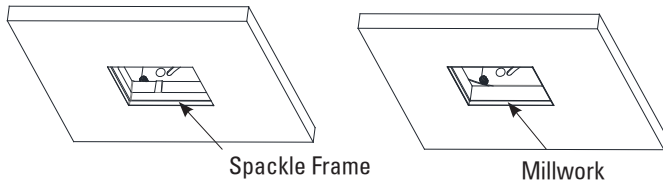
CAUTION READ BEFORE INSTALLATION

- Retain these instructions for future reference. This product must be installed by a person familiar with the construction and operation of the product and the hazards involved, in accordance with applicable NEC code.
- Switch off main power before beginning installation.
- Install per national installation and accident prevention regulations.
- Clearance between sides of luminaire and parts of building to be 1/2 inch minimum; clearance to insulating materials to be 3 inch minimum, unless luminaire is IC rated.
- Fixtures must be installed in applications where the ambient temperature does not exceed 40° C during normal operation.
- DO NOT connect or disconnect LED board wire connector when the fixture is energized. This may result in permanent damage to the LED array.
- Warranty claims will not be accepted if incorrect driver or light engine is used.

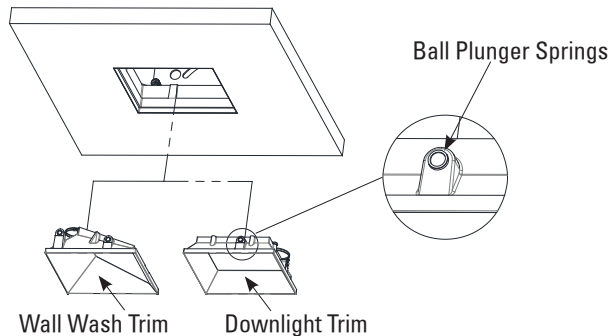
After housing is properly installed follow these steps to insert trim.

TRIMLESS AND MILLWORK TRIMS:

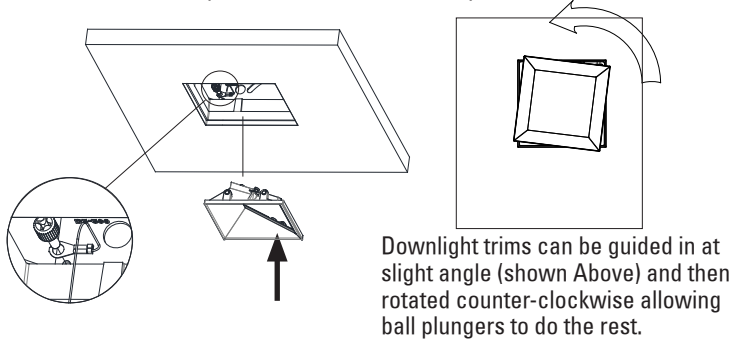
STEP 1: Ensure ceiling adapters are properly installed and ready for trim insertion. Trims install into Spackle Frame or optional Millwork.



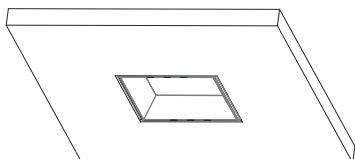
STEP 2: Unbox and identify trims to be installed. Downlight trim may be inserted in any orientation. Wall wash trim slope must be parallel to the slope of the inner reflector.



STEP 3: Attach safety cable eyelit from trim to housing, as shown, using thumbscrew provided. Insert trim directly into frame.



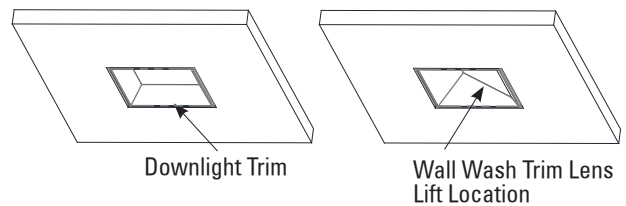
STEP 4: Ensure trim is seated properly. The trim should be about flush with the frame. NOTE: Any residue from joint compound or paint may prevent trim from sitting flush.



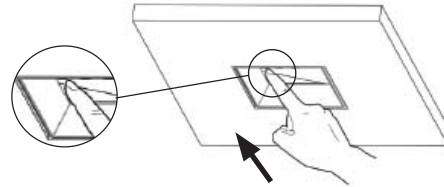
To remove trim from ceiling follow these steps.

REMOVAL:

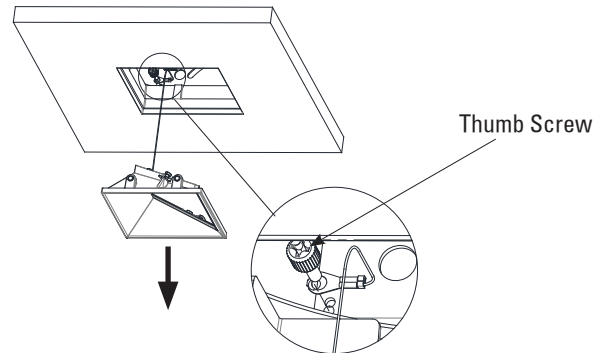
STEP 1: Identify trim to be removed and locate where the lens lifts up beyond the trim. Downlight trims can be accessed on any side, but wall wash trims lift at a point closest to the ceiling.



STEP 2: Using finger push lens upward (at lens lift location) just enough to insert finger.



STEP 3: Using finger, gently pull straight down to compress ball plunger mounting springs and allow trim to rest on safety cable.



STEP 4: Detach safety cable from housing if necessary. To completely separate trim from housing, remove thumbscrew (thumbscrew shown in step 3 above).

