

# USAI INTEGRAL DRIVER

## WIRING INSTRUCTIONS

### 0-10V Dimming

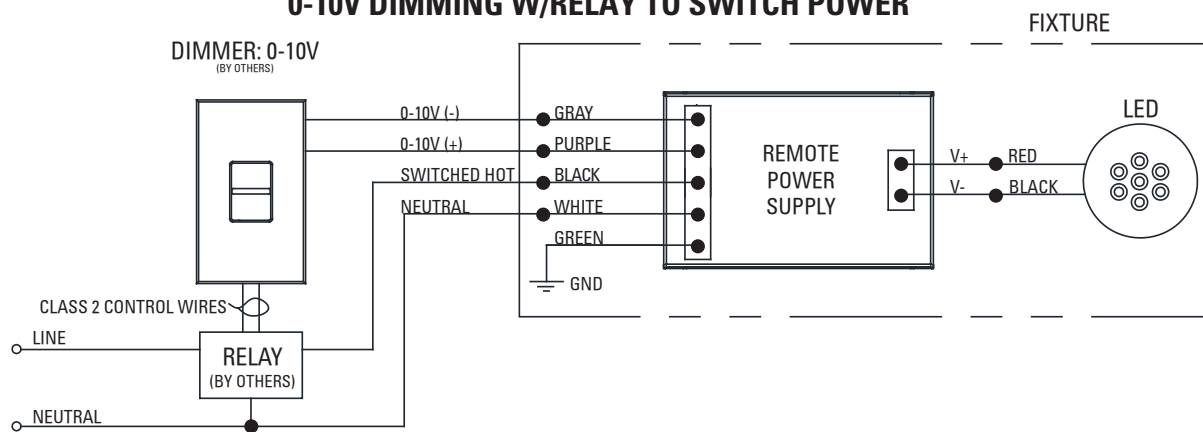
#### IMPORTANT SAFETY INSTRUCTIONS

- SAVE THESE INSTRUCTIONS

1. Keep these instructions in a safe place for future reference.
2. Only qualified electricians in accordance to local codes should install these fixtures.
3. De-energize the electrical circuit at the circuit breaker prior to installation process or servicing.
4. Make sure all connections are in accordance with the National Electrical Code and any local regulations.
5. Separately cap any wires not used (not together).

**Dims down to 1% contingent upon dimmer specification and load. 120V - 277V.**

#### 0-10V DIMMING W/RELAY TO SWITCH POWER



#### 0-10V DIMMING (NO RELAY)

