

# Recess Pinhole Classic White Adjustable



Photograph: © Adrian Wilson Photography



**Universal and Field Convertible  
Trim | Trimless**

## Recess Pinhole Classic White Adjustable

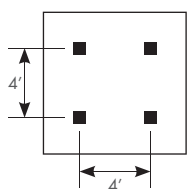
An elegant solution for a variety of applications. Featuring clean, architectural grade finishes and two high quality white light options, the Recess Pinhole installs beautifully into all ceiling types, including drywall, stone, and wood and makes every space look its best.

- **Ideal Applications:** Small-Scaled Spaces
- **Recommended for Ceiling Height:** 8' – 14'
- **Light Type:** Consistent warm or neutral white, soft ambient light

### PINHOLE ADJUSTABLE PERFORMANCE DATA

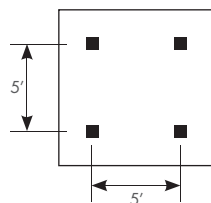
Shape	Classic White	
	Round	Square
Delivered Lumens:	800	525
Lumens Per Watt:	58	39
Source Lumens:	1400	
Wattage	15W	
CCT:	2700K or 3000K	
CRI:	90+	
Beamspread:	25°	
	Narrow Beam / Adjustable	

#### 4' SPACING BETWEEN LIGHT FIXTURES



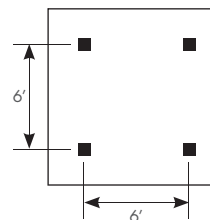
4' x 4' LAYOUT	CEILING HEIGHT			
	8'	10'	12'	14'
Light levels at:	8'	10'	12'	14'
Round	51	49	45	42
Square	34	32	30	27

#### 5' SPACING BETWEEN LIGHT FIXTURES



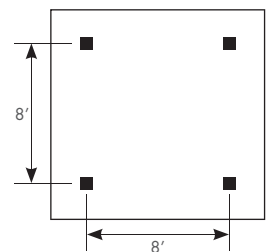
5' x 5' LAYOUT	CEILING HEIGHT			
	8'	10'	12'	14'
Light levels at:	8'	10'	12'	14'
Round	44	39	36	33
Square	30	26	23	22

#### 6' SPACING BETWEEN LIGHT FIXTURES



6' x 6' LAYOUT	CEILING HEIGHT			
	8'	10'	12'	14'
Light levels at:	8'	10'	12'	14'
Round	24	24	24	24
Square	16	16	16	16

#### 8' SPACING BETWEEN LIGHT FIXTURES



8' x 8' LAYOUT	CEILING HEIGHT			
	8'	10'	12'	14'
Light levels at:	8'	10'	12'	14'
Round	22	21	19	17
Square	15	14	12	11

All light levels are average illuminance on work plane (2.5' AFF) in foot candles.

1/4" Regress Spacing Criteria = 0.42

Average light levels are provided in the tables above, for a range of lighting fixture layouts and ceiling heights. All illuminance values are reported in average footcandles (fc) and measured at the workplane, 30" above the floor.

**For approximate light level recommendations, please refer to the IES guidelines shown below:**

**Workshop / Tools / Crafts:** 40-100 fc  
**Board Games / Cards:** 20-40 fc  
**Dining:** 5-10 fc

**Kitchen:** 30-50 fc  
**Computer:** 15-30 fc  
**Media:** 2-20 fc

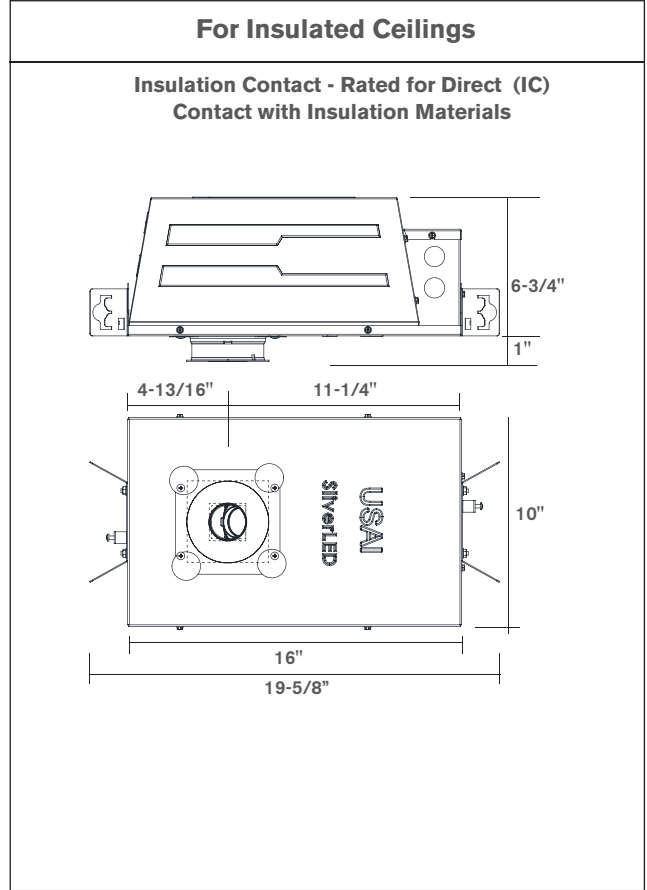
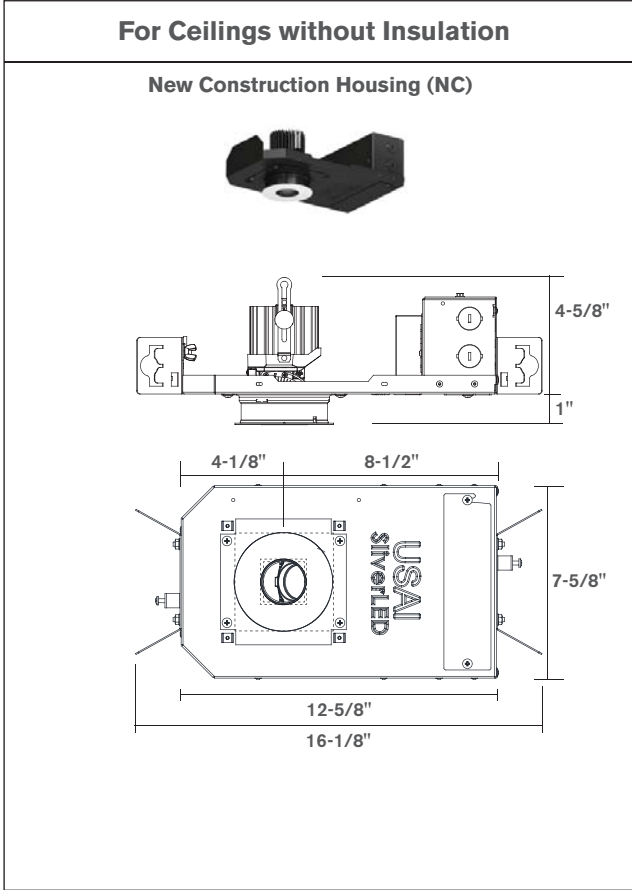
**Reading:** 20-50 fc  
**Dressing:** 10-30 fc  
**Corridors / Circulation:** 3-5 fc

# Recess Pinhole Classic White Adjustable



## Seven Easy Steps to Specify

### 1 Select Housing Type



### 2 Select White Light

#### Warm White (C27)



2700 Kelvin  
Similar to Incandescent

#### Neutral White (C30)



3000 Kelvin  
Similar to Halogen

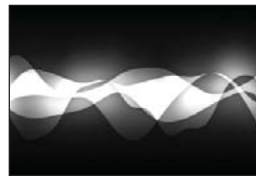
### 3 Select Dimming Control Type - Smooth Dimming to 1% Standard

#### 0-10V Low Voltage Dimming (IV15A)



Compatible with 0-10V Controls

#### Phased Line Voltage Dimming (IP15A)



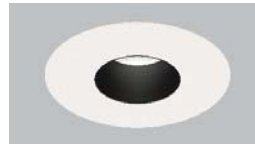
Compatible with Forward and Reverse Phase Dimmers

# Recess Pinhole Classic White Adjustable



**4 Select Shape**

Round



Square



**5 Select Trim Style For Ceiling Type**

Trimmed (F)  
for All Ceiling  
Types



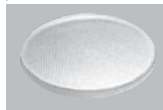
Flush Mount (P)  
for Sheetrock Ceilings Only  
(Must be Spackled In)



**6 Select Glass Lens**

Solite (S)  
provided standard

Light diffusion  
with the most  
efficiency



Frosted (F)

Medium diffusion  
for softer light  
output, approximately  
12% less light output



**7 Select Trim Finish**

White (WH)  
provided standard



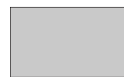
Black (BL)



Statuary  
Bronze (BZ)



Metalized  
Grey (GR)



Primer (PR)



## How to Specify

Manufacturer	Light Fixture Type			LED + Control			Options				Revision
USAI	2DL	A1						D			00
USAI	Family	Function	Housing Type	LED Color	Wattage Driver	Shape	Style	Beam Spread	Lens	Finish	Version
USAI Lighting	2DL Pinhole Adjustable, 15W	A1 Adjustable Tilt and Aim Downlight	NC New Construction Housing  IC Insulation Contact Rated / Airtight	C27 Warm White 2700K High 90+ CRI  C30 Neutral White 3000K High 90+ CRI	IP15A Integral Phase Dimming Driver, to 1% 120V only, 15W  IV15A Integral 0-10V Dimming Driver, to 1% 120V-277V, 15W	R Round  S Square	F Trimmed  P Trimless / Flush Mount	D 25° Beam	S Solite Textured Glass (provided standard)  F Frosted Glass	WH White (provided standard)  BL Black  BZ Statuary Bronze  GR Metalized Grey  PR Primer Finish	00



www.savant.com  
savantsupport@savant.com

1-877-SAVANT5  
(1-877-728-2685)

©2018, USAI, LLC.  
All rights reserved.  
All designs protected by copyright.  
Covered by US Patents. Patents pending.

# Recess Pinhole Classic White Adjustable

## RECESS PINHOLE SPECIFICATIONS

### FIELD REPLACEABLE LED LIGHT ENGINE

is serviceable through the aperture with a Philips screwdriver. All USAI Lighting LED light engines feature industry-leading color consistency. Classic white light engines maintain perfectly white light in all conditions.

### FIELD REPLACEABLE DIMMING DRIVER

is serviceable from below the ceiling through the aperture. Each solid state electronic constant current driver has a high power factor and sources 2mA. Drivers comply with IEEE62.41 surge protection. Some on-time delay may be experienced depending on control system used.

### FIXTURE WEIGHT

Standard housing with trim weighs 5.5 lbs, 15W IC housing weighs 10 lbs.

### HOUSING

Universal housing style allows the ability to swap trim styles between Downlight, Adjustable and Wall Wash. Fabricated of 18 ga. black powder coated steel with thru wire J-box, 2 in 2 out at min. 90°C, #12 AWG thru branch circuit wiring. IC housings are rated for direct contact with insulation up to R30 or less.

### MOUNTING

Butterfly brackets and adjustable nailer bars with integral nails provided. Nailer bars are extendible from 14" to 24" centers. Channel bars optionally available for dropped ceiling installation.

### CEILING CUT OUT

3-5/8" Ø

### LISTINGS

Dry/Damp/Wet. NRTL/CSA-US Tested to UL Standards. IBEW Union made. NC housing is UL2043 rated for use in Air Handling Plenum.



### NOTES

- Not for use in corrosive environment
- Use spackle collar accessory for flush-mount, spackle-in sheetrock applications
- Interior use only.

### PHOTOMETRICS

Consult factory or website for IES files. Tested in accordance with IESNA LM79.