

Recess Pinhole Classic White Downlight



Photograph: © Adrian Wilson Photography

Recess Pinhole Classic White Downlight

An elegant solution for a variety of applications. Featuring clean, architectural grade finishes and two high quality white light options, the Recess Pinhole installs beautifully into all ceiling types, including drywall, stone, and wood and makes every space look its best.

- **Ideal Applications:** Small-Scaled Spaces
- **Recommended for Ceiling Height:** 8' – 14'
- **Light Type:** Consistent warm or neutral white, soft ambient light

PINHOLE DOWNLIGHT PERFORMANCE DATA

Classic White				
Shape	Round		Square	
Regress	1/4"	1"	1/4"	1"
Delivered Lumens:	675	425	800	450
Lumens Per Watt:	49	31	59	33
Source Lumens:	1400			
Wattage	15W			
CCT:	2700K or 3000K			
CRI:	90+			
Beamspread:	50°			
	Wide Beam / Straight Down			

Trimmed

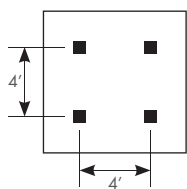


Flush Mount



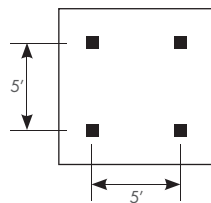
Universal and Field Convertible - Trim | Trimless

4' SPACING BETWEEN LIGHT FIXTURES



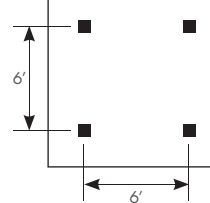
4' x 4' LAYOUT	CEILING HEIGHT			
Light levels at:	8'	10'	12'	14'
1/4" Regress RD	34	29	26	23
1/4" Regress SQ	41	35	31	27
1" Regress RD	24	21	19	17
1" Regress SQ	26	22	20	18

5' SPACING BETWEEN LIGHT FIXTURES



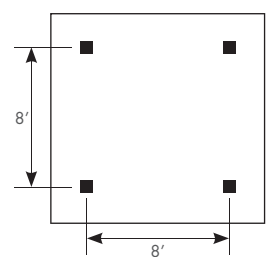
5' x 5' LAYOUT	CEILING HEIGHT			
Light levels at:	8'	10'	12'	14'
1/4" Regress RD	27	24	22	20
1/4" Regress SQ	33	29	26	24
1" Regress RD	19	17	16	14
1" Regress SQ	20	18	16	15

6' SPACING BETWEEN LIGHT FIXTURES



6' x 6' LAYOUT	CEILING HEIGHT			
Light levels at:	8'	10'	12'	14'
1/4" Regress RD	20	19	18	17
1/4" Regress SQ	25	24	24	21
1" Regress RD	13	13	12	12
1" Regress SQ	14	13	13	13

8' SPACING BETWEEN LIGHT FIXTURES



8' x 8' LAYOUT	CEILING HEIGHT			
Light levels at:	8'	10'	12'	14'
1/4" Regress RD	14	12	10	9
1/4" Regress SQ	16	14	12	11
1" Regress RD	10	9	7	7
1" Regress SQ	11	9	8	7

All light levels are average illuminance on work plane (2.5' AFF) in foot candles.

1/4" Regress Spacing Criteria = 0.82, 1" Regress Spacing Criteria = 0.66

Average light levels are provided in the tables above, for a range of lighting fixture layouts and ceiling heights. All illuminance values are reported in average footcandles (fc) and measured at the workplane, 30" above the floor.

For approximate light level recommendations, please refer to the IES guidelines shown below:

Workshop / Tools / Crafts: 40-100 fc
Board Games / Cards: 20-40 fc
Dining: 5-10 fc

Kitchen: 30-50 fc
Computer: 15-30 fc
Media: 2-20 fc

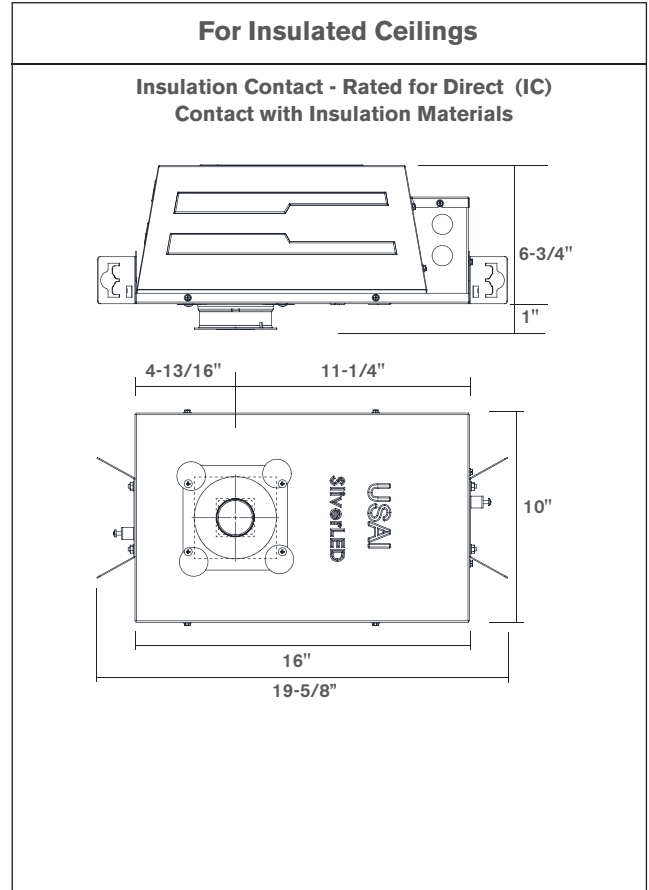
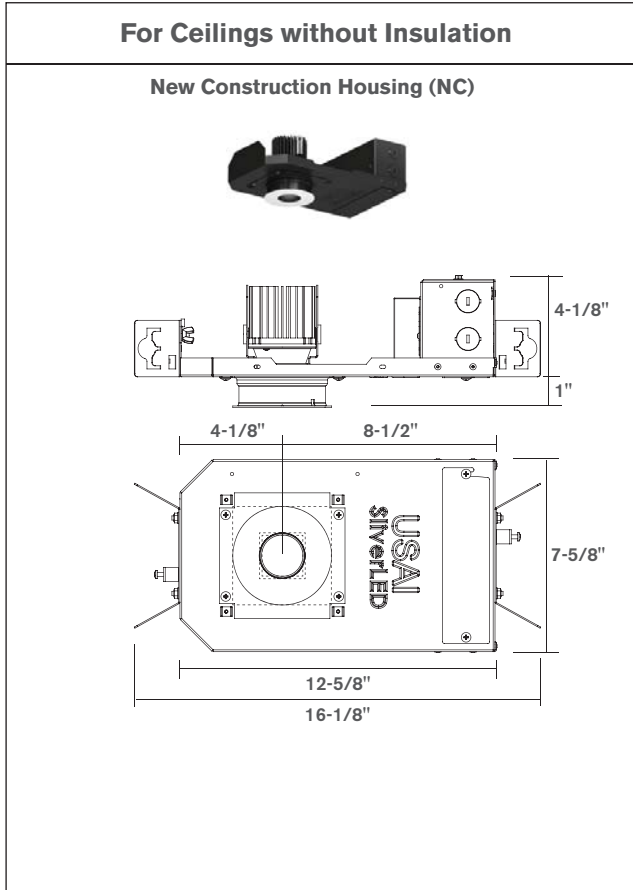
Reading: 20-50 fc
Dressing: 10-30 fc
Corridors / Circulation: 3-5 fc

Recess Pinhole Classic White Downlight



Seven Easy Steps to Specify

1 Select Housing Type



2 Select White Light

Warm White (C27)



2700 Kelvin
Similar to Incandescent

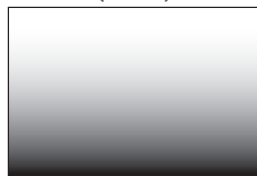
Neutral White (C30)



3000 Kelvin
Similar to Halogen

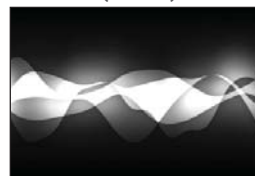
3 Select Dimming Control Type - Smooth Dimming to 1% Standard

0-10V Low Voltage Dimming (IV15A)



Compatible with 0-10V Controls

Phased Line Voltage Dimming (IP15A)



Compatible with Forward and Reverse Phase Dimmers

Recess Pinhole Classic White Downlight



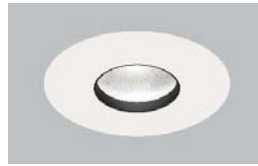
4 Select Shape

Round - 1/4" Regress (D0) Round - 1" Regress (D1) Square - 1/4" Regress (D0) Square - 1" Regress (D1)



5 Select Trim Style For Ceiling Type

Trimmed (F)
for All Ceiling
Types



Flush Mount (P)
for Sheetrock Ceilings Only
(Must be Spackled In)



6 Select Glass Lens

Solite (S)
provided standard

Light diffusion
with the most
efficiency



Frosted (F)

Medium diffusion
for softer light
output, approximately
12% less light output



7 Select Trim Finish

White (WH)
provided standard



Black (BL)



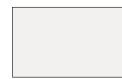
**Statuary
Bronze (BZ)**



**Metalized
Grey (GR)**



Primer (PR)



How to Specify

Manufacturer	Light Fixture Type			LED + Control			Options				Revision
USAI	2DL							I			00
USAI	Family	Function	Housing Type	LED Color	Wattage Driver	Shape	Style	Beam Spread	Lens	Finish	Version
USAI Lighting	2DL Pinhole Downlight, 15W	D0 1/4" Regress Fixed Downlight D1 1" Regress Fixed Downlight	NC New Construction Housing IC Insulation Contact Rated / Airtight	C27 Warm White 2700K High 90+ CRI C30 Neutral White 3000K High 90+ CRI	IP15A Integral Phase Dimming Driver, to 1% 120V only, 15W IV15A Integral 0-10V Dimming Driver, to 1% 120V-277V, 15W	R Round S Square	F Trimmed P Trimless / Flush Mount	I 50° Beam	S Solite Textured Glass (provided standard) F Frosted Glass	WH White (provided standard) BL Black BZ Statuary Bronze GR Metalized Grey PR Primer Finish	00

Recess Pinhole Classic White Downlight

RECESS PINHOLE SPECIFICATIONS

FIELD REPLACEABLE LED LIGHT ENGINE

is serviceable through the aperture with a Philips screwdriver. All USAI Lighting LED light engines feature industry-leading color consistency. Classic white light engines maintain perfectly white light in all conditions.

FIELD REPLACEABLE DIMMING DRIVER

is serviceable from below the ceiling through the aperture. Each solid state electronic constant current driver has a high power factor and sources 2mA. Drivers comply with IEEE62.41 surge protection. Some on-time delay may be experienced depending on control system used.

FIXTURE WEIGHT

Standard housing with trim weighs 5.5 lbs, 15W IC housing weighs 10 lbs.

HOUSING

Universal housing style allows the ability to swap trim styles between Downlight, Adjustable and Wall Wash. Fabricated of 18 ga. black powder coated steel with thru wire J-box, 2 in 2 out at min. 90°C, #12 AWG thru branch circuit wiring. IC housings are rated for direct contact with insulation up to R30 or less.

MOUNTING

Butterfly brackets and adjustable nailer bars with integral nails provided. Nailer bars are extendible from 14" to 24" centers. Channel bars optionally available for dropped ceiling installation.

CEILING CUT OUT

3-5/8" Ø

LISTINGS

Dry/Damp/Wet. NRTL/CSA-US Tested to UL Standards. IBEW Union made. NC housing is UL2043 rated for use in Air Handling Plenum.



NOTES

- Not for use in corrosive environment
- Use spackle collar accessory for flush-mount, spackle-in sheetrock applications
- Interior use only.

PHOTOMETRICS

Consult factory or website for IES files. Tested in accordance with IESNA LM79.