

Recess Pinhole Warm Glow Dimming Downlight



Photograph: Steve Munding Photography

Recess Pinhole Warm Glow Dimming Downlight

An elegant solution for a variety of applications. Featuring clean, architectural grade finishes and beautiful light that shifts to warm as you dim, the Recess Pinhole installs beautifully into all ceiling types, including drywall, stone, and wood and makes every space look its best.

- **Ideal Applications:** Small-Scaled Spaces
- **Recommended for Ceiling Height:** 8' – 14'
- **Light Type:** White light that shifts to warm as you dim, indistinguishable from incandescent

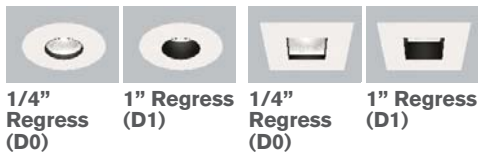
PINHOLE DOWNLIGHT PERFORMANCE DATA

Warm Glow Dimming

| Shape | Round | | Square | |
|-------------------|---------------------------|-----|--------|-----|
| Regress | 1/4" | 1" | 1/4" | 1" |
| Delivered Lumens: | 350 | 275 | 425 | 325 |
| Lumens Per Watt: | 22 | 17 | 27 | 20 |
| Source Lumens: | 1400 | | | |
| Wattage | 15W | | | |
| CCT: | 3000K dimmable to 2200K | | | |
| CRI: | 90+ | | | |
| Beamspread: | 50° | | | |
| | Wide Beam / Straight Down | | | |

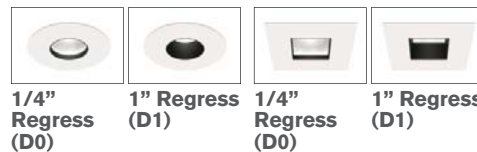


Trimmed



1/4" Regress (D0) 1" Regress (D1) 1/4" Regress (D0) 1" Regress (D1)

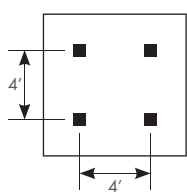
Flush Mount



1/4" Regress (D0) 1" Regress (D1) 1/4" Regress (D0) 1" Regress (D1)

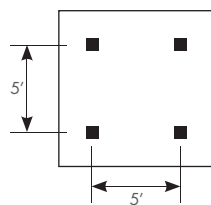
Universal and Field Convertible - Trim | Trimless

4' SPACING BETWEEN LIGHT FIXTURES



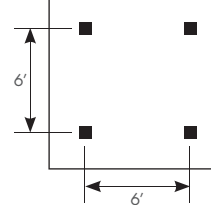
| 4' x 4' LAYOUT | CEILING HEIGHT | | | |
|------------------|----------------|-----|-----|-----|
| Light levels at: | 8' | 10' | 12' | 14' |
| 1/4" Regress RD | 17 | 14 | 12 | 11 |
| 1/4" Regress SQ | 21 | 17 | 15 | 13 |
| 1" Regress RD | 13 | 11 | 10 | 9 |
| 1" Regress SQ | 16 | 13 | 12 | 10 |

5' SPACING BETWEEN LIGHT FIXTURES



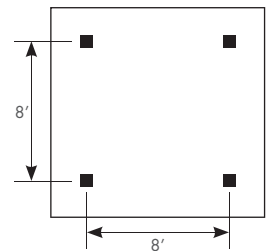
| 5' x 5' LAYOUT | CEILING HEIGHT | | | |
|------------------|----------------|-----|-----|-----|
| Light levels at: | 8' | 10' | 12' | 14' |
| 1/4" Regress RD | 14 | 12 | 11 | 10 |
| 1/4" Regress SQ | 17 | 15 | 13 | 12 |
| 1" Regress RD | 11 | 9 | 8 | 8 |
| 1" Regress SQ | 13 | 11 | 10 | 9 |

6' SPACING BETWEEN LIGHT FIXTURES



| 6' x 6' LAYOUT | CEILING HEIGHT | | | |
|------------------|----------------|-----|-----|-----|
| Light levels at: | 8' | 10' | 12' | 14' |
| 1/4" Regress RD | 10 | 10 | 9 | 8 |
| 1/4" Regress SQ | 13 | 12 | 11 | 10 |
| 1" Regress RD | 8 | 7 | 7 | 6 |
| 1" Regress SQ | 9 | 9 | 8 | 8 |

8' SPACING BETWEEN LIGHT FIXTURES



| 8' x 8' LAYOUT | CEILING HEIGHT | | | |
|------------------|----------------|-----|-----|-----|
| Light levels at: | 8' | 10' | 12' | 14' |
| 1/4" Regress RD | 7 | 6 | 5 | 4 |
| 1/4" Regress SQ | 8 | 7 | 6 | 5 |
| 1" Regress RD | 6 | 5 | 4 | 3 |
| 1" Regress SQ | 7 | 5 | 5 | 4 |

All light levels are average illuminance on work plane (2.5' AFF) in foot candles.

1/4" Regress Spacing Criteria = 0.84, 1" Regress Spacing Criteria = 0.68

Average light levels are provided in the tables above, for a range of lighting fixture layouts and ceiling heights. All illuminance values are reported in average footcandles (fc) and measured at the workplane, 30" above the floor.

For approximate light level recommendations, please refer to the IES guidelines shown below:

Workshop / Tools / Crafts: 40-100 fc
Board Games / Cards: 20-40 fc
Dining: 5-10 fc

Kitchen: 30-50 fc
Computer: 15-30 fc
Media: 2-20 fc

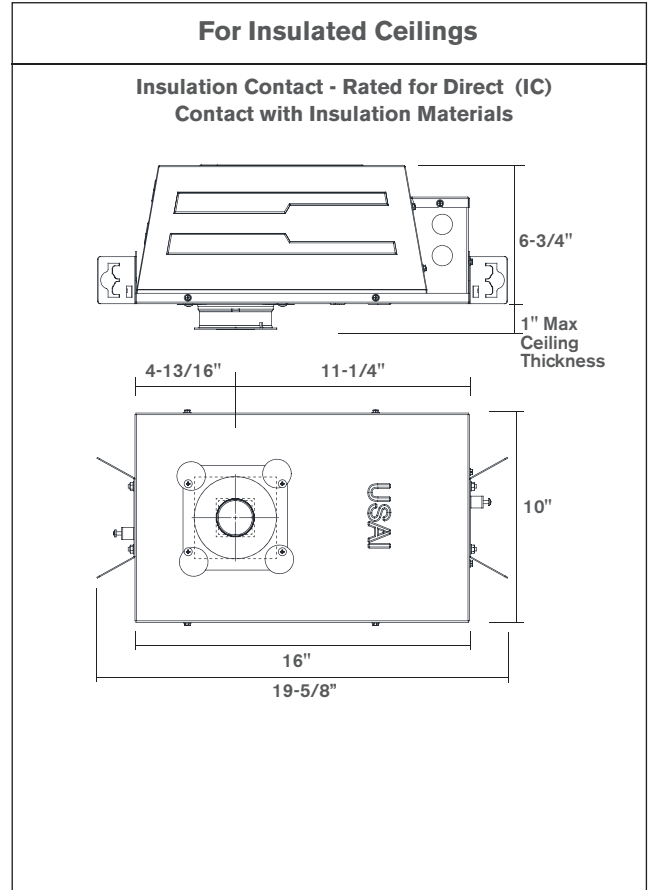
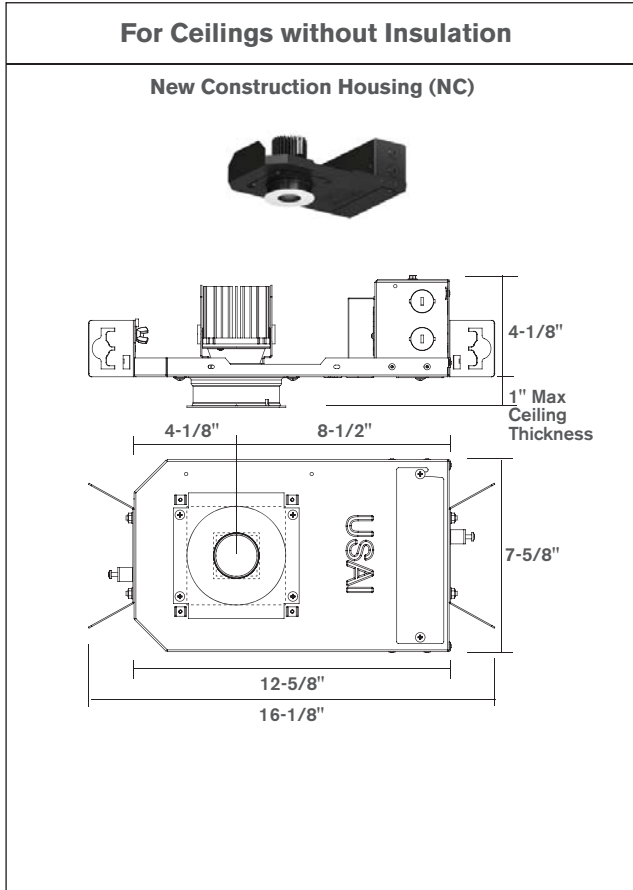
Reading: 20-50 fc
Dressing: 10-30 fc
Corridors / Circulation: 3-5 fc

Recess Pinhole Warm Glow Dimming Downlight



Six Easy Steps to Specify

1 Select Housing Type



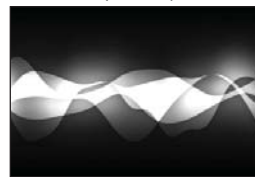
2 Select Dimming Control Type - Smooth Dimming to 1% Standard

0-10V Low Voltage Dimming (IV16A)



Compatible with 0-10V Controls

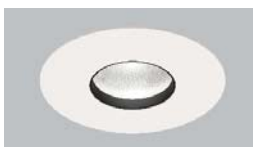
Phased Line Voltage Dimming (IP16A)



Compatible with Forward and Reverse Phase Dimmers

3 Select Shape

Round - 1/4" Regress (D0)



Round - 1" Regress (D1)



Square - 1/4" Regress (D0)



Square - 1" Regress (D1)



Recess Pinhole Warm Glow Dimming Downlight



4 Select Trim Style For Ceiling Type

Trimmed (F)
for All Ceiling
Types



Flush Mount (P)
for Sheetrock Ceilings Only
(Must be Spackled In)



5 Select Glass Lens

Solite (S)
provided standard)
Light diffusion
with the most
efficiency



Frosted (F)
Medium diffusion
for softer light
output, approximately
12% less light output



6 Select Trim Finish

White (WH)
provided standard



Black (BL)



**Statuary
Bronze (BZ)**



**Metalized
Grey (GR)**



Primer (PR)



How to Specify

| Manufacturer | Light Fixture Type | | | LED + Control | | | Options | | | | Revision |
|---------------|-------------------------------------|----------------------------------------------------------------------------------------------|------------------------------------------------------------------------------------------------|------------------------------------------------------------------------------------------------------------------|-------------------------------------------------------------------------------------------------------------------------------------------------------------------|-------------------------------|-------------------------------------------------------|---------------|-----------------------------------------------------------------------------------------|----------------------------------------------------------------------------------------------------------------------------------------------|----------|
| USAI | 2DL | | | WD1 | | | | I | | | 00 |
| USAI | Family | Function | Housing Type | LED Color | Wattage Driver | Shape | Style | Beam Spread | Lens | Finish | Version |
| USAI Lighting | 2DL Pinhole Downlight, 16W | D0 1/4" Regress Fixed Downlight D1 1" Regress Fixed Downlight | NC New Construction Housing IC Insulation Contact Rated / Airtight | WD1 Warm Glow Dimming from 3000K, 90+ CRI at 100% output to 2200K at lowest output | IP16A Integral Phase Dimming Driver, to 1% 120V only, 16W IV16A Integral 0-10V Dimming Driver, to 1% 120V-277V, 16W | R Round S Square | F Trimmed P Trimless / Flush Mount | I 50° Beam | S Solite Textured Glass (provided standard) F Frosted Glass | WH White (provided standard) BL Black BZ Statuary Bronze GR Metalized Grey PR Primer Finish | 00 |

Recess Pinhole Warm Glow Dimming Downlight

RECESS PINHOLE SPECIFICATIONS

FIELD REPLACEABLE LED LIGHT ENGINE

is serviceable through the aperture with a Philips screwdriver. All USAI Lighting LED light engines feature industry-leading color consistency. Warm Glow dimming light engines gradually shift color to a warm 2200K when dimmed, indistinguishable from incandescent.

FIELD REPLACEABLE DIMMING DRIVER

is serviceable from below the ceiling through the aperture. Each solid state electronic constant current driver has a high power factor and sources 2mA. Drivers comply with IEEE62.41 surge protection. Some on-time delay may be experienced depending on control system used.

FIXTURE WEIGHT

Standard housing with trim weighs 5.5 lbs, 16W IC housing weighs 10 lbs.

HOUSING

Universal housing style allows the ability to swap trim styles between Downlight, Adjustable and Wall Wash. Fabricated of 18 ga. black powder coated steel with thru wire J-box, 2 in 2 out at min. 90°C, #12 AWG thru branch circuit wiring. IC housings are rated for direct contact with insulation up to R30 or less.

MOUNTING

Butterfly brackets and adjustable nailer bars with integral nails provided. Nailer bars are extendible from 14" to 24" centers. Channel bars optionally available for dropped ceiling installation.

CEILING CUT OUT

3-5/8" Ø

LISTINGS

Dry/Damp/Wet. NRTL/CSA-US Tested to UL Standards. IBEW Union made. NC housing is UL2043 rated for use in Air Handling Plenum.



NOTES

- Not for use in corrosive environment
- Use spackle collar accessory for flush-mount, spackle-in sheetrock applications
- Interior use only.

PHOTOMETRICS

Consult factory or website for IES files. Tested in accordance with IESNA LM79.