

Recess Pinhole Classic White Wall Wash



Photograph: © Adrian Wilson Photography



**Universal and Field Convertible
Trim | Trimless**

Recess Pinhole Classic White Wall Wash

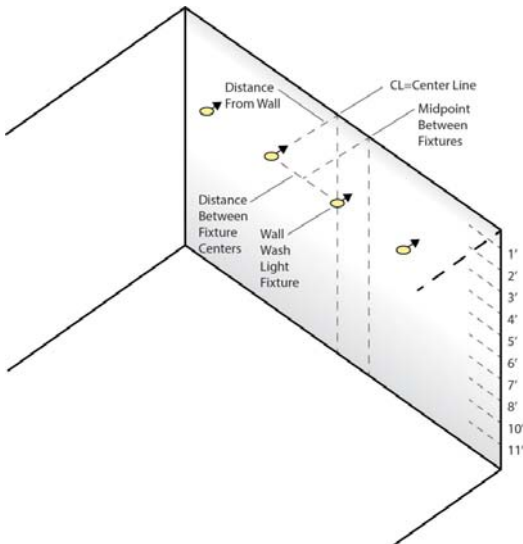
An elegant solution for a variety of applications. Featuring clean, architectural grade finishes and two high quality white light options, the Recess Pinhole installs beautifully into all ceiling types, including drywall, stone, and wood and makes every space look its best.

- **Ideal Applications:** Small-Scaled Spaces
- **Recommended for Ceiling Height:** 8' – 14'
- **Light Type:** Consistent warm or neutral white, soft ambient light

PINHOLE WALL WASH PERFORMANCE DATA

Classic White		
Shape	Round	Square
Delivered Lumens:	650	675
Lumens Per Watt:	47	49
Source Lumens:	1400	
Wattage	15W	
CCT:	2700K or 3000K	
CRI:	90+	
Beamspread:	Wall Wash Fixed Asymmetric	

PHOTOMETRIC DATA



Classic White Wall Wash at 15W												
Multiple Units Footcandles												
From Ceiling	2' From Wall				3' From Wall				4' From Wall			
	2' Centers		3' Centers		3' Centers		4' Centers		4' Centers		5' Centers	
	CL	Mid	CL	Mid	CL	Mid	CL	Mid	CL	Mid	CL	Mid
1'	24	24	20	14	7	6	6	4	2	2	2	2
2'	40	40	30	25	16	15	13	10	7	6	6	4
3'	34	34	24	23	19	19	15	14	10	10	9	7
4'	23	23	17	17	17	17	13	13	11	11	9	8
5'	15	16	12	12	13	14	11	10	10	10	8	8
6'	10	11	8	8	10	10	8	8	9	9	7	7
7'	7	7	6	6	8	8	6	7	7	7	6	6
8'	5	5	4	5	6	6	5	5	6	6	5	5
9'	4	4	3	4	5	5	4	4	5	5	4	4
10'	3	3	3	3	4	4	3	3	4	4	3	4
11'	2	3	2	2	3	3	3	3	3	3	3	3
12'	2	2	2	2	3	3	2	2	3	3	3	3
13'	2	2	2	2	2	2	2	2	3	3	2	2
14'	2	2	2	2	2	2	2	2	2	2	2	2

CL= Center Line of Fixture. Mid=Midpoint between two fixtures
= maximum Light Level

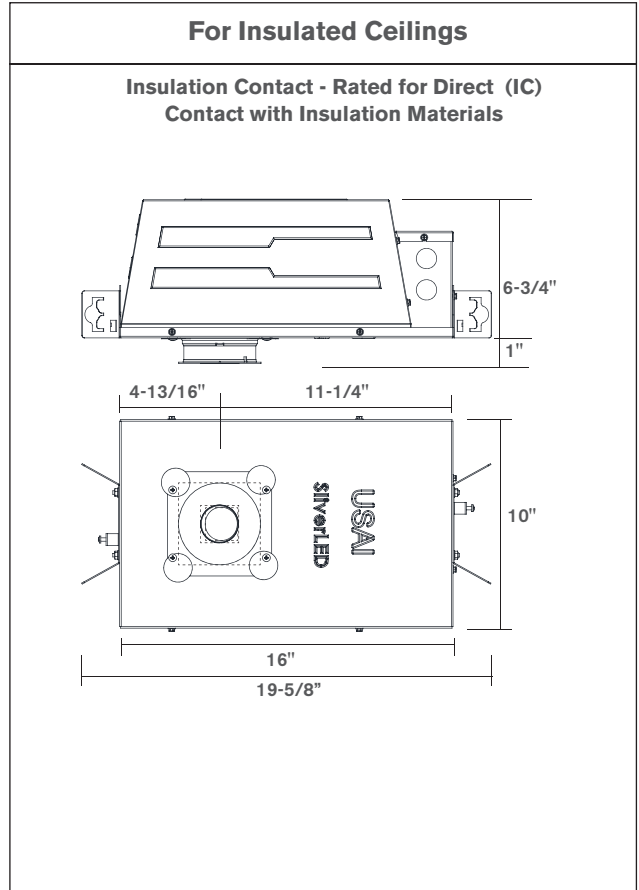
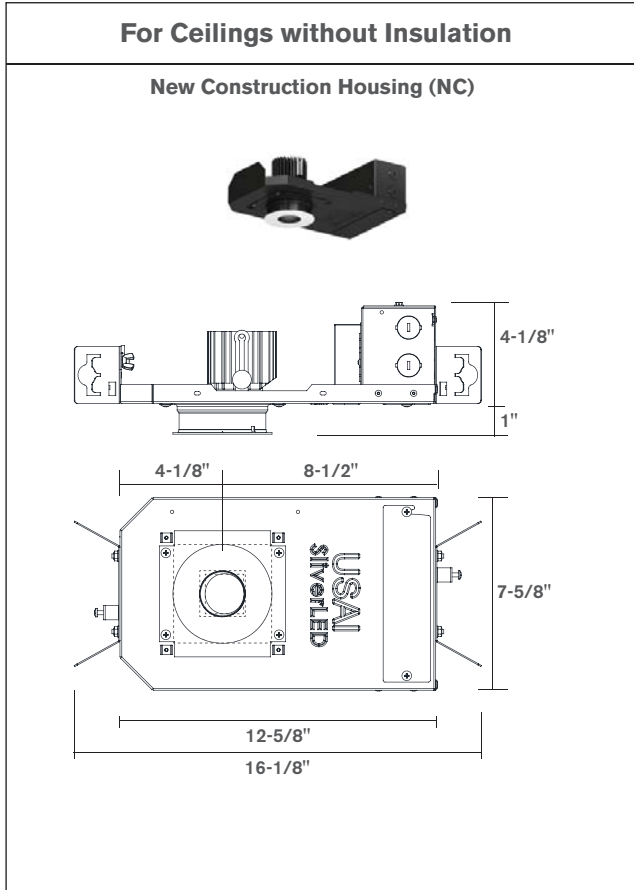
Average light levels are provided in the tables above, for a range of lighting fixture layouts and ceiling heights. All illuminance values are reported in average footcandles (fc) and measured at the wall at heights indicated.

Recess Pinhole Classic White Wall Wash



Six Easy Steps to Specify

1 Select Housing Type



2 Select White Light

Warm White (C27)



2700 Kelvin
Similar to Incandescent

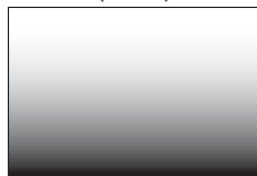
Neutral White (C30)



3000 Kelvin
Similar to Halogen

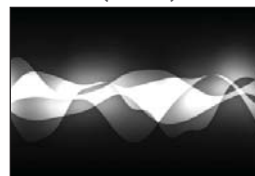
3 Select Dimming Control Type - Smooth Dimming to 1% Standard

0-10V Low Voltage Dimming (IV15A)



Compatible with 0-10V Controls

Phased Line Voltage Dimming (IP15A)



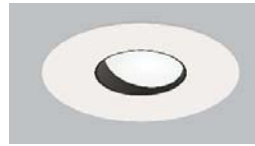
Compatible with Forward and Reverse Phase Dimmers

Recess Pinhole Classic White Wall Wash

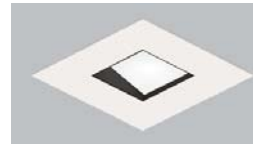


4 Select Shape

Round

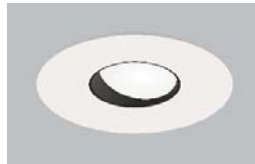


Square



5 Select Trim Style For Ceiling Type

Trimmed (F)
for All Ceiling
Types



Flush Mount (P)
for Sheetrock Ceilings Only
(Must be Spackled In)



6 Select Trim Finish

White (WH)
provided standard



Black (BL)



Statuary
Bronze (BZ)



Metalized
Grey (GR)



Primer (PR)



How to Specify

Manufacturer	Light Fixture Type			LED + Control			Options			Revision	
USAI	2DL	W1						X	M		00
USAI	Family	Function	Housing Type	LED Color	Wattage Driver	Shape	Style	Beam Spread	Lens	Finish	Version
USAI Lighting	2DL 2" Pinhole, Downlight 15W	W1 Fixed Asymmetric Downlight	NC New Construction Housing IC Insulation Contact Rated / Airtight	C27 Warm White 2700K High 90+ CRI C30 Neutral White 3000K High 90+ CRI	IP15A Integral Phase Dimming Driver, to 1% 120V only, 15W IV15A Integral 0-10V Dimming Driver, to 1% 120V-277V, 15W	R Round S Square	F Trimmed P Trimless / Flush Mount	X Wall Wash	M Multi Diffusion	WH White (provided standard) BL Black BZ Statuary Bronze GR Metalized Grey PR Primer Finish	00

Recess Pinhole Classic White Wall Wash

RECESS PINHOLE SPECIFICATIONS

FIELD REPLACEABLE LED LIGHT ENGINE

is serviceable through the aperture with a Philips screwdriver. All USAI Lighting LED light engines feature industry-leading color consistency. Classic white light engines maintain perfectly white light in all conditions.

FIELD REPLACEABLE DIMMING DRIVER

is serviceable from below the ceiling through the aperture. Each solid state electronic constant current driver has a high power factor and sources 2mA. Drivers comply with IEEE62.41 surge protection. Some on-time delay may be experienced depending on control system used.

FIXTURE WEIGHT

Standard housing with trim weighs 5.5 lbs, 15W IC housing weighs 10 lbs.

HOUSING

Universal housing style allows the ability to swap trim styles between Downlight, Adjustable and Wall Wash. Fabricated of 18 ga. black powder coated steel with thru wire J-box, 2 in 2 out at min. 90°C, #12 AWG thru branch circuit wiring. IC housings are rated for direct contact with insulation up to R30 or less.

MOUNTING

Butterfly brackets and adjustable nailer bars with integral nails provided. Nailer bars are extendible from 14" to 24" centers. Channel bars optionally available for dropped ceiling installation.

CEILING CUT OUT

3-5/8" Ø

LISTINGS

Dry/Damp/Wet. NRTL/CSA-US Tested to UL Standards. IBEW Union made. NC housing is UL2043 rated for use in Air Handling Plenum.



NOTES

- Not for use in corrosive environment
- Use spackle collar accessory for flush-mount, spackle-in sheetrock applications
- Interior use only.

PHOTOMETRICS

Consult factory or website for IES files. Tested in accordance with IESNA LM79.