

Recess Pinhole Warm Glow Dimming Wall Wash



Photograph: Steve Munding Photography

Recess Pinhole Warm Glow Dimming Wall Wash

An elegant solution for a variety of applications. Featuring clean, architectural grade finishes and beautiful light that shifts to warm as you dim, the Recess Pinhole installs beautifully into all ceiling types, including drywall, stone, and wood and makes every space look its best.

- **Ideal Applications:** Small-Scaled Spaces
- **Recommended for Ceiling Height:** 8' – 14'
- **Light Type:** White light that shifts to warm as you dim, indistinguishable from incandescent

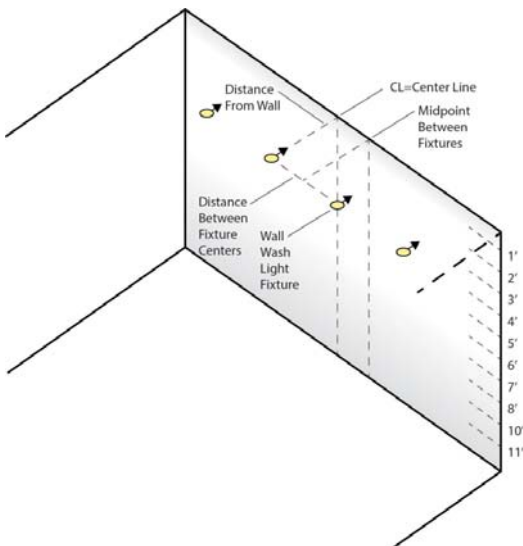
PINHOLE WALL WASH PERFORMANCE DATA

Warm Glow Dimming		
Shape	Round	Square
Delivered Lumens:	400	400
Lumens Per Watt:	25	25
Source Lumens:	625	
Wattage	16W	
CCT:	3000K dimmable to 2200K	
CRI:	90+	
Beamspread:	Wall Wash Fixed Asymmetric	



Universal and Field Convertible
Trim | Trimless

PHOTOMETRIC DATA



Classic White Wall Wash at 16W												
Multiple Units Footcandles												
From Ceiling	2' From Wall				3' From Wall				4' From Wall			
	2' Centers		3' Centers		3' Centers		4' Centers		4' Centers		5' Centers	
	CL	Mid	CL	Mid	CL	Mid	CL	Mid	CL	Mid	CL	Mid
1'	17	17	13	10	5	5	5	4	2	2	2	2
2'	23	23	18	15	10	10	8	7	5	4	4	3
3'	18	19	13	13	11	11	9	8	6	6	5	5
4'	12	13	9	9	9	9	7	7	6	6	5	5
5'	8	8	6	6	7	7	6	6	6	6	5	5
6'	5	6	4	4	6	6	4	5	5	5	4	4
7'	4	4	3	3	4	5	3	4	4	4	3	3
8'	3	3	2	2	3	3	3	3	3	3	3	3
9'	2	2	2	2	3	3	2	2	3	3	2	2
10'	2	2	1	2	2	2	2	2	2	2	2	2
11'	1	1	1	1	2	2	2	2	2	2	2	2
12'	1	1	1	1	1	1	1	1	2	2	1	1
13'	1	1	1	1	1	1	1	1	1	1	1	1
14'	1	1	1	1	1	1	1	1	1	1	1	1

CL= Center Line of Fixture. Mid=Midpoint between two fixtures
= maximum Light Level

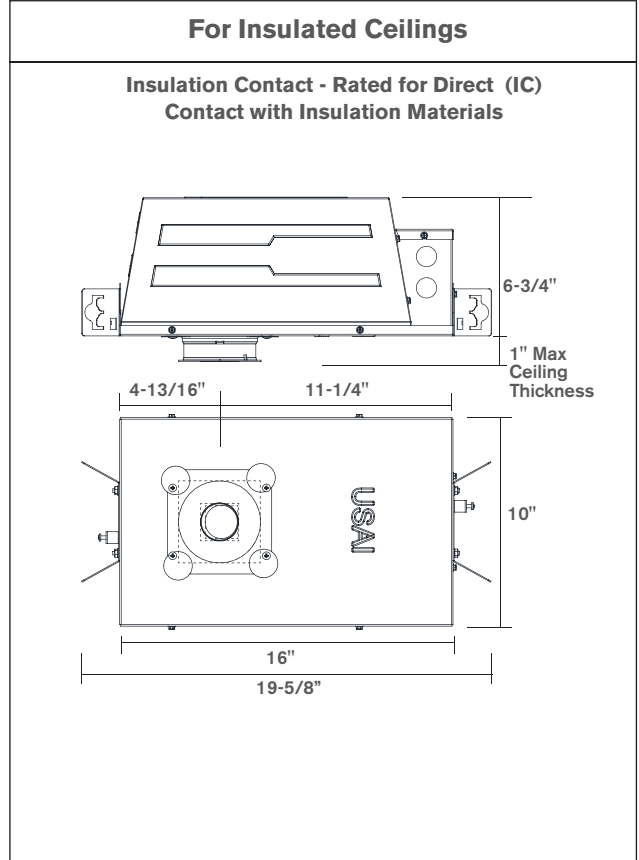
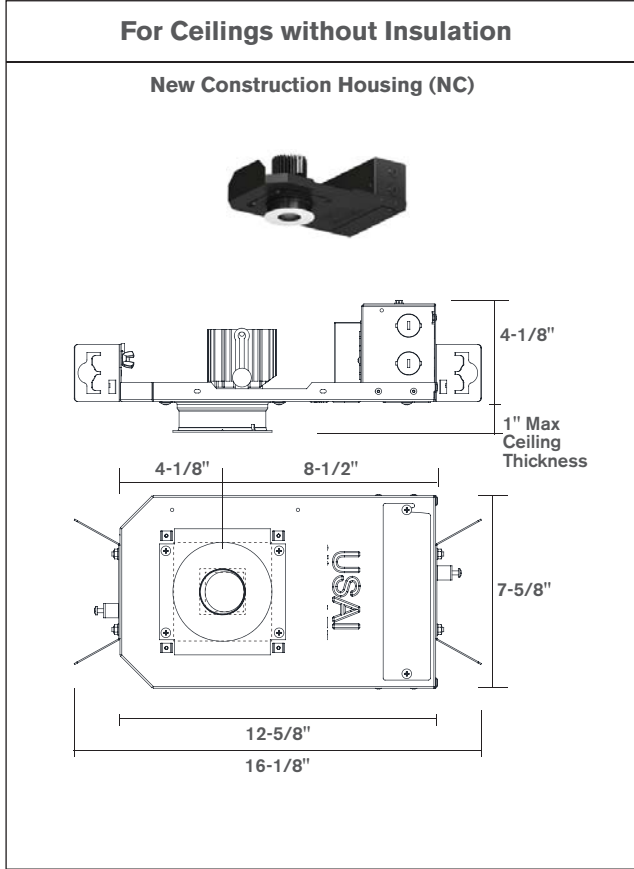
Average light levels are provided in the tables above, for a range of lighting fixture layouts and ceiling heights. All illuminance values are reported in average footcandles (fc) and measured at the wall at heights indicated.

Recess Pinhole Warm Glow Dimming Wall Wash



Five Easy Steps to Specify

1 Select Housing Type



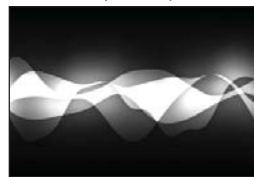
2 Select Dimming Control Type - Smooth Dimming to 1% Standard

0-10V Low Voltage Dimming (IV16A)



Compatible with 0-10V Controls

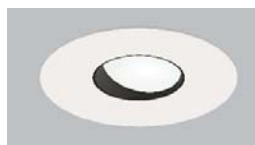
Phased Line Voltage Dimming (IP16A)



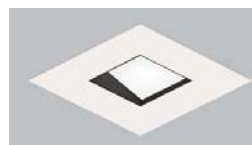
Compatible with Forward and Reverse Phase Dimmers

3 Select Shape

Round



Square

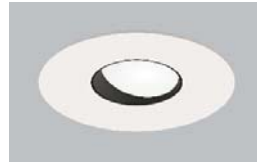


Recess Pinhole Warm Glow Dimming Wall Wash



4 Select Trim Style For Ceiling Type

Trimmed (F)
for All Ceiling
Types



Flush Mount (P)
for Sheetrock Ceilings Only
(Must be Spackled In)



5 Select Trim Finish

White (WH)
provided standard



Black (BL)



**Statuary
Bronze (BZ)**



**Metalized
Grey (GR)**



Primer (PR)



How to Specify

Manufacturer	Light Fixture Type			LED + Control			Options				Revision
USAI	2DL	W1		WD1				X	M		00
USAI	Family	Function	Housing Type	LED Color	Wattage Driver	Shape	Style	Beam Spread	Lens	Finish	Version
USAI Lighting	2DL 2" Pinhole, Downlight 16W	W1 Fixed Asymmetric Wall Wash	NC New Construction Housing IC Insulation Contact Rated / Airtight	WD1 Warm Glow Dimming from 3000K, 90+ CRI at 100% output to 2200K at lowest output	IP16A Integral Phase Dimming Driver, to 1% 120V only, 16W IV16A Integral 0-10V Dimming Driver, to 1% 120V-277V, 16W	R Round S Square	F Trimmed P Trimless / Flush Mount	X Wall Wash	M Multi Diffusion	WH White (provided standard) BL Black BZ Statuary Bronze GR Metalized Grey PR Primer Finish	00

Recess Pinhole Warm Glow Dimming Wall Wash

RECESS PINHOLE SPECIFICATIONS

FIELD REPLACEABLE LED LIGHT ENGINE

is serviceable through the aperture with a Philips screwdriver. All USAI Lighting LED light engines feature industry-leading color consistency. Warm Glow dimming light engines gradually shift color to a warm 2200K when dimmed, indistinguishable from incandescent.

FIELD REPLACEABLE DIMMING DRIVER

is serviceable from below the ceiling through the aperture. Each solid state electronic constant current driver has a high power factor and sources 2mA. Drivers comply with IEEE62.41 surge protection. Some on-time delay may be experienced depending on control system used.

FIXTURE WEIGHT

Standard housing with trim weighs 5.5 lbs, 16W IC housing weighs 10 lbs.

HOUSING

Universal housing style allows the ability to swap trim styles between Downlight, Adjustable and Wall Wash. Fabricated of 18 ga. black powder coated steel with thru wire J-box, 2 in 2 out at min. 90°C, #12 AWG thru branch circuit wiring. IC housings are rated for direct contact with insulation up to R30 or less.

MOUNTING

Butterfly brackets and adjustable nailer bars with integral nails provided. Nailer bars are extendible from 14" to 24" centers. Channel bars optionally available for dropped ceiling installation.

CEILING CUT OUT

3-5/8" Ø

LISTINGS

Dry/Damp/Wet. NRTL/CSA-US Tested to UL Standards. IBEW Union made. NC housing is UL2043 rated for use in Air Handling Plenum.



NOTES

- Not for use in corrosive environment
- Use spackle collar accessory for flush-mount, spackle-in sheetrock applications
- Interior use only.

PHOTOMETRICS

Consult factory or website for IES files. Tested in accordance with IESNA LM79.