

Recess 3" Infinite Color+ Adjustable




Recess 3 inch Infinite Color+ Adjustable

An elegant solution for a variety of applications. Featuring clean, architectural grade finishes and full dynamic color plus tunable architectural white light capability, the Recess 3 installs beautifully into all ceiling types, including drywall, stone, and wood and makes every space look its best.

- **Ideal Applications:** Small to Medium-Scaled Spaces
- **Recommended for Ceiling Height:** 8' – 14'
- **Light Type:** Saturated, colorful light, pastels, neutrals and whites, tunable and dynamically variable to suit your preference

3" ADJUSTABLE PERFORMANCE DATA

Infinite Color+		
	White Light Channel Only	Multi Channel Output
Delivered Lumens:	600	650
Lumens Per Watt:	38	37
Source Lumens:	1250	1375
Wattage	16W	18W
Beamspread:	40° Medium Beam / Adjustable	



Round Trims

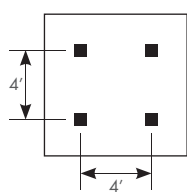


Square Trims



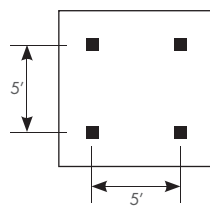
Universal and Field Convertible - Trim | Trimless | Millwork

4' SPACING BETWEEN LIGHT FIXTURES



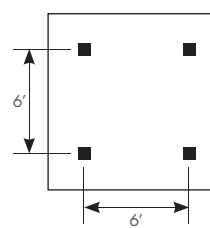
4' x 4' LAYOUT	CEILING HEIGHT
Light levels at:	8' 10' 12' 14'
Light levels on Work Plane (2.5' AFF):	xx xx xx xx (fc) foot candles

5' SPACING BETWEEN LIGHT FIXTURES



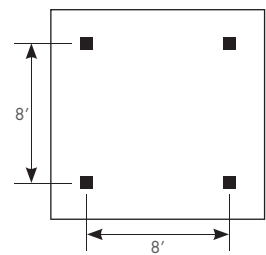
5' x 5' LAYOUT	CEILING HEIGHT
Light levels at:	8' 10' 12' 14'
Light levels on Work Plane (2.5' AFF):	xx xx xx xx (fc) foot candles

6' SPACING BETWEEN LIGHT FIXTURES



6' x 6' LAYOUT	CEILING HEIGHT
Light levels at:	8' 10' 12' 14'
Light levels on Work Plane (2.5' AFF):	xx xx xx xx (fc) foot candles

8' SPACING BETWEEN LIGHT FIXTURES



8' x 8' LAYOUT	CEILING HEIGHT
Light levels at:	8' 10' 12' 14'
Light levels on Work Plane (2.5' AFF):	xx xx xx xx (fc) foot candles

Spacing Criteria = xx

Average light levels are provided in the tables above, for a range of lighting fixture layouts and ceiling heights. All illuminance values are reported in average footcandles (fc) and measured at the workplane, 30" above the floor.

For approximate light level recommendations, please refer to the IES guidelines shown below:

Workshop / Tools / Crafts: 40-100 fc
Board Games / Cards: 20-40 fc
Dining: 5-10 fc

Kitchen: 30-50 fc
Computer: 15-30 fc
Media: 2-20 fc

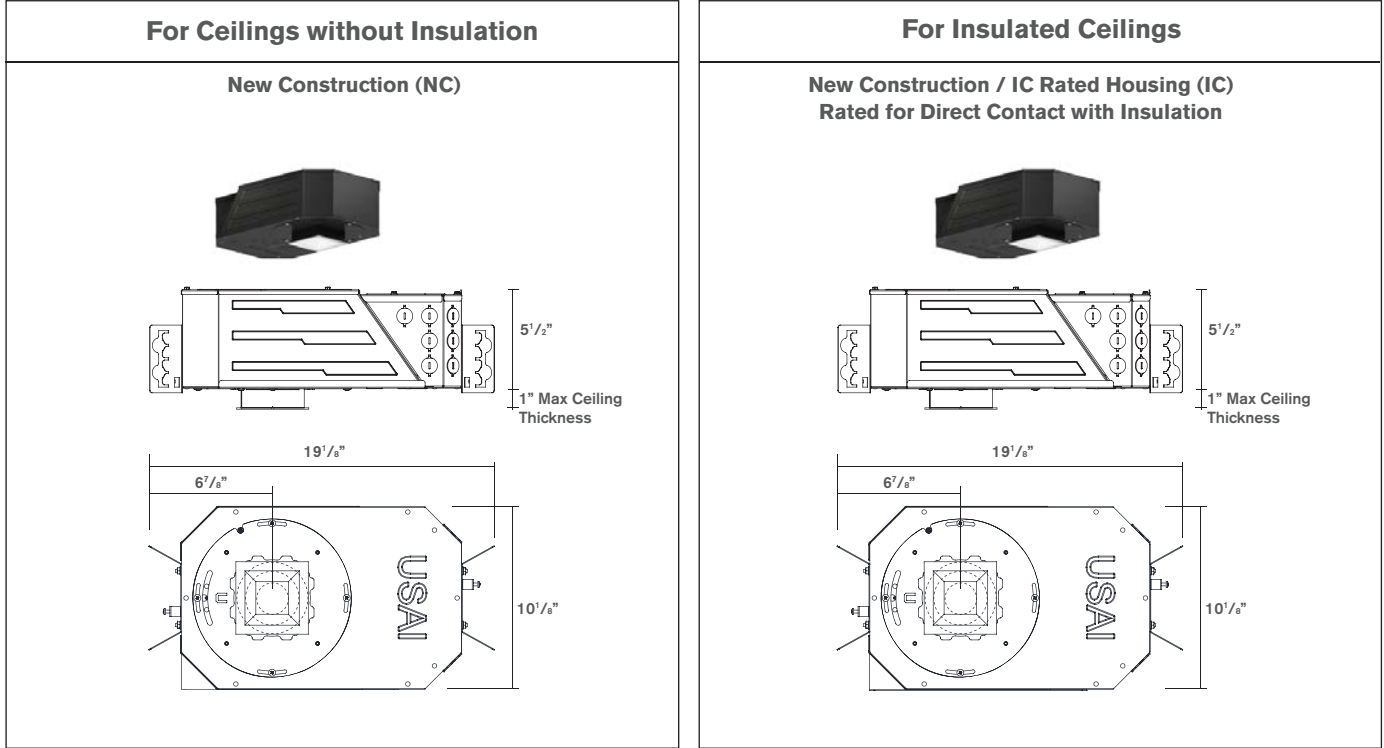
Reading: 20-50 fc
Dressing: 10-30 fc
Corridors / Circulation: 3-5 fc

Recess 3" Infinite Color+ Adjustable



Four Easy Steps to Specify

1 Select Housing Type



2 Select Shape

Square

Round



3 Select Trim Style For Ceiling Type

Trimmed (F)
for All Ceiling
Types

Trimless (P)
for Sheetrock Ceilings Only
(Must be Spackled In)

Millwork (M)
for Millwork and
Stone Ceilings



Recess 3" Infinite Color+ Adjustable



4 Select Trim Finish



How to Specify

Manufacturer	Light Fixture Type			LED + Control		Options					Revision
USAI	3DL	A1		FC1	RX18A			G	S		00
USAI	Family	Function	Housing Type	LED Color	Wattage Driver	Shape	Style	Beam Spread	Lens	Finish	Version
USAI Lighting	3DL 3" Downlight, 18W	A1 Adjustable Tilt and Aim Downlight	NC New Construction Housing IC New Construction / IC Rated Housing / Airtight	FC1 Full Color plus Tunable White, Dynamically Variable through DMX controls	RX18A Remote DMX Digital Dimming Driver, to 0.1%, 120V-277V, 18W	R Round S Square	F Trimmed P Trimless M Millwork	G 40° Beam	S Solite	WH White (provided standard) BL Black BZ Statuary Bronze GR Metalized Grey PR Primer AC Clear Matte Anodized AB Black Anodized	00

Recess 3" Infinite Color+ Adjustable

RECESS 3 SPECIFICATIONS

FIELD REPLACEABLE LED LIGHT ENGINE

is serviceable through the aperture without tools. All USAI Lighting Infinite Color+ light engines feature industry leading color consistency.

FIELD REPLACEABLE DRIVER

Driver complies with IEEE62.41 surge protection. Multiple dimming driver options are available; some on-time delay may be experienced, depending on control system used.

HOUSING:

Fabricated of 20 ga. galvanized steel with thru wire J-box, 4 in 4 out at min. 90°C, #12 AWG thru branch circuit wiring. IC-rated housings for use with 14W light engines only are rated for direct contact with insulation of R-42 or less.

MOUNTING:

Butterfly brackets and adjustable nailer bars with integral nails provided. Nailer bars are extendible from 14" to 24" centers.

CEILING CUT OUT:

Round: 3-1/2" Ø

Square: 3-1/2" x 3-1/2"

LISTINGS:

Dry/Damp. Wet location option available with WH, BL, BZ, GR and PR trims only. NRTL/CSA-US tested to UL standards. IBEW union made.



NOTES:

- Not for use in corrosive environment.
- Use of pressure washer voids warranty.

PHOTOMETRICS:

Consult factory or website for IES files. Tested in accordance with IESNA LM79.