

Recess 4.5"

Warm Glow Dimming Wall Wash



Photograph: Steve Munding Photography

Recess 4.5 inch Warm Glow Dimming Wall Wash

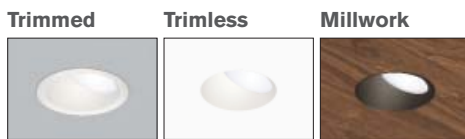
An elegant solution for a variety of applications. Featuring clean, architectural grade finishes and beautiful light that shifts to warm as you dim, the Recess 4.5 installs beautifully into all ceiling types, including drywall, stone, and wood and makes every space look its best.

- **Ideal Applications:** Medium to Large-Scaled Spaces
- **Recommended for Ceiling Height:** 14' – 20'
- **Light Type:** White light that shifts to warm as you dim, indistinguishable from incandescent

4.5" WALL WASH PERFORMANCE DATA

Shape	Warm Glow Dimming	
	Round	Square
Delivered Lumens:	900	1150
Lumens Per Watt:	30	38
Source Lumens:	1725	
Wattage	32W	
CCT:	3000K dimmable to 2200K	
CRI:	90+	
Beamspread:	Wall Wash Fixed Asymmetric	

Round Trims

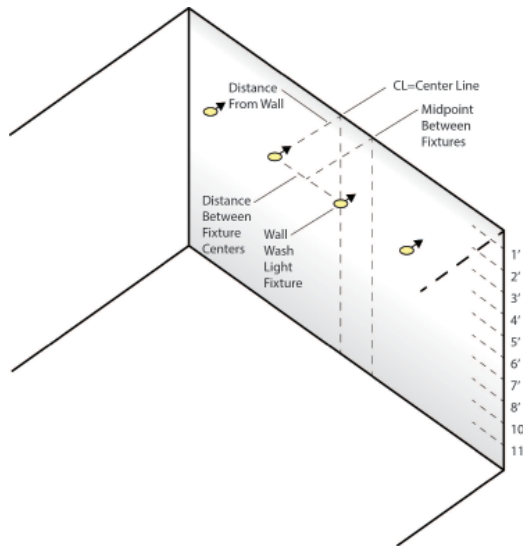


Square Trims



Universal and Field Convertible - Trim | Trimless | Millwork

PHOTOMETRIC DATA



Warm Dim Wall Wash at 32W												
Multiple Units Footcandles												
From Ceiling	2' From Wall				3' From Wall				4' From Wall			
	2' Centers		3' Centers		3' Centers		4' Centers		4' Centers		5' Centers	
	CL	Mid	CL	Mid	CL	Mid	CL	Mid	CL	Mid	CL	Mid
1'	34	33	26	21	10	10	8	7	4	4	3	3
2'	48	48	35	32	20	20	16	14	9	9	8	7
3'	36	37	26	26	22	23	18	17	13	13	11	10
4'	23	24	18	18	19	19	15	15	13	13	11	10
5'	15	15	12	12	14	14	11	11	11	11	9	9
6'	10	10	8	9	10	11	9	9	9	9	8	8
7'	7	7	6	6	8	8	7	7	7	8	6	7
8'	5	5	5	5	6	6	5	5	6	6	5	5
9'	4	4	4	4	5	5	4	4	5	5	4	4
10'	3	3	3	3	4	4	3	4	4	4	4	4
11'	2	3	2	2	3	3	3	3	3	3	3	3
12'	2	2	2	2	3	3	2	2	3	3	3	3
13'	2	2	2	2	2	2	2	2	3	3	2	2
14'	2	2	2	2	2	2	2	2	2	2	2	2

CL= Center Line of Fixture. Mid=Midpoint between two fixtures
 = maximum Light Level

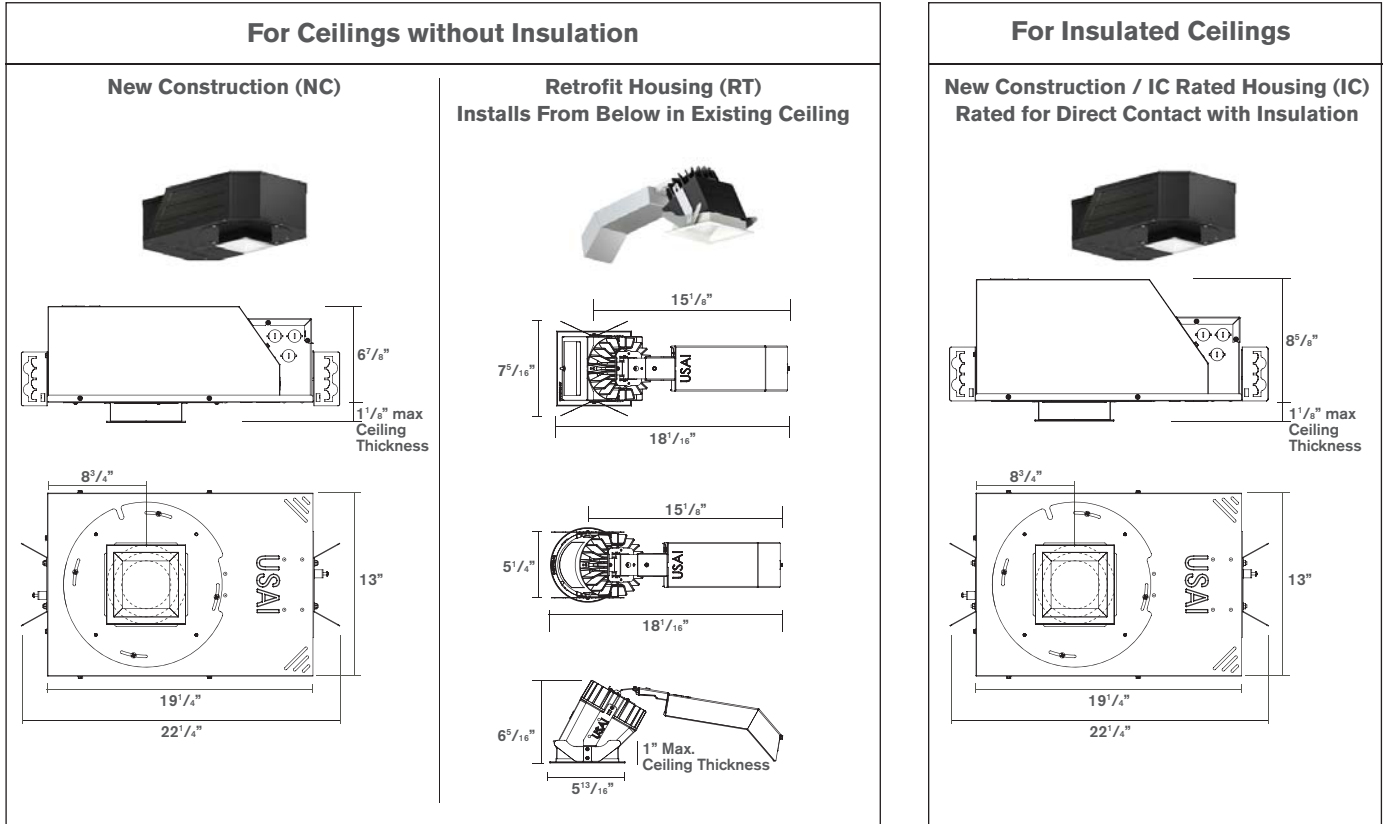
Average light levels are provided in the tables above, for a range of lighting fixture layouts and ceiling heights. All illuminance values are reported in average footcandles (fc) and measured at the wall at heights indicated.

Recess 4.5" Warm Glow Dimming Wall Wash



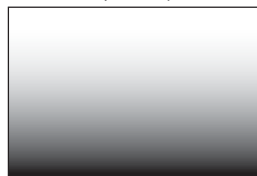
Five Easy Steps to Specify

1 Select Housing Type



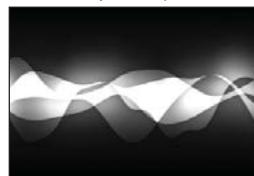
2 Select Dimming Control Type - Smooth Dimming to 1% Standard

0-10V Low Voltage Dimming (IV32A)



Compatible with 0-10V Controls

Phased Line Voltage Dimming (IP32A)



Compatible with Forward and Reverse Phase Dimmers

3 Select Shape

Square



Round



Recess 4.5" Warm Glow Dimming Wall Wash



4 Select Trim Style For Ceiling Type



5 Select Trim Finish



How to Specify

Manufacturer	Light Fixture Type			LED + Control			Options			Revision	
USAI	4DL	W1		WD1				X	M		00
USAI	Family	Function	Housing Type	LED Color	Wattage Driver	Shape	Style	Beam Spread	Lens	Finish	Version
USAI Lighting	4DL 4.5" Downlight, 32W	W1 Fixed Asymmetric Wall Wash	<p>NC New Construction Housing</p> <p>IC New Construction / IC Rated Housing / Airtight</p> <p>RT Trimmed Only Retrofit from below ceiling</p>	<p>WD1 Warm Glow Dimming from 3000K, 90+ CRI at 100% output to 2200K at lowest output</p> <p>WD1 Warm Glow Dimming from 3000K, 90+ CRI at 100% output to 2200K at lowest output</p>	<p>IP32A Integral Phase Dimming Driver, to 1% 120V only, 32W</p> <p>IV32A Integral 0-10V Dimming Driver, to 1% 120V-277V, 32W</p> <p>IP32A Integral Phase Dimming Driver, to 1% 120V only, 32W</p> <p>IV32A Integral 0-10V Dimming Driver, to 1% 120V-277V, 32W</p>	<p>R Round</p> <p>S Square</p> <p>R Round</p> <p>S Square</p>	<p>F Trimmed</p> <p>P Trimless</p> <p>M Millwork</p> <p>F Trimmed Only (Retrofit Housing)</p>	<p>X Wall Wash</p> <p>X Wall Wash</p>	<p>M Multi Diffusion</p> <p>M Multi Diffusion</p>	<p>WH White (provided standard)</p> <p>BL Black</p> <p>BZ Statuary Bronze</p> <p>GR Metalized Grey</p> <p>PR Primer</p> <p>AC Clear Matte Anodized</p> <p>AB Black Anodized</p> <p>WH White (provided standard)</p> <p>BL Black</p> <p>BZ Statuary Bronze</p> <p>GR Metalized Grey</p>	00

Recess 4.5" Warm Glow Dimming Wall Wash

RECESS 4.5 SPECIFICATIONS

FIELD REPLACEABLE LED LIGHT ENGINE

is serviceable through the aperture without tools or with a Philips screwdriver. All USAI Lighting light engines feature industry-leading color consistency.

FIELD REPLACEABLE DRIVER

All integral dimming drivers are located within the fixture housing and are serviceable from below the ceiling through the aperture. Some on-time delay may be experienced depending on control system used. All dimming drivers comply with IEEE C62.41 surge protection.

HOUSING

All Recess 4.5 fixtures are field-flexible which allow for field changes from trimless or millwork to trimmed with a simple components change with parts from USAI. Housings are fabricated of 20 ga. steel construction with thru wire J-box, 4 in 4 out at min. 90°C, #12 AWG thru branch circuit wiring.

ADJUSTMENT

362° horizontal locking in 90° increments.

FIXTURE WEIGHT

RT housings weigh 8 lbs. NC and IC housings weigh 16 lbs.

CEILING CUT OUT

Trimmed with Overlap Flange Round: 5-1/16" Ø

Trimmed with Overlap Flange Square: 5-1/16" x 5-1/16"

Trimless Spackle-in Round: 5-1/2" Ø

Trimless Spackle-in Square: 5-1/2" x 5-1/2"

Millwork: Knife-edge Round: 4-15/16" Ø

Millwork: Knife-edge Square: 4-15/16" x 4-15/16"

Retrofit Round: 5-1/2" Ø

Retrofit Square: 5-1/2" x 5-1/2"

LISTINGS

Dry/Damp/Wet location. AC and AB trim finishes are dry/damp only. UL2043 rated for use in air handling plenums. NRTL/CSA-US tested to UL standards. IBEW union made.



NOTES

- Not for use in corrosive environment
- Use of pressure washer voids warranty

PHOTOMETRICS

Consult factory or website for IES files. Tested in accordance with IESNA LM79.