

Cylinder 3 Classic White Pendant



Cylinder 3 Classic White Pendant

A 3-inch diameter cylinder that can be used as a decorative yet highly functional pendant, or mounted directly to the ceiling surface. Cylinder 3, available as a simple cylinder or with a glowing opal glass option, is a sleek architectural accent.

- **Ideal Applications:** Small to Large Scaled Spaces
- **Recommended for Ceiling Height:** 8' – 20'
- **Light Type:** Consistent warm or neutral white, soft ambient light

CYLINDER 3 PERFORMANCE DATA

Shape	Classic White			
	6" Length	6" Glow Glass	10" Length	10" Glow Glass
Delivered Lumens:	725	675	950	875
Lumens Per Watt:	52	49	47	42
Source Lumens:	875		1200	
Wattage	14W		20W	
CCT:	2700K or 3000K			
CRI:	90+			
Beamspread:	50°, Glow Glass-35° Medium Beam / Straight Down			

Pendant Options



10" with Canopy 6" with Canopy 10" with Conduit Cutout Canopy (also available in 6" length) 10" with Canopy Glow Glass (also available in 6" length)

Surface Mount Options



10" Surface Mount 6" Surface Mount 10" Surface Mount Glow Glass 6" Surface Mount Glow Glass

For approximate light level recommendations, please refer to the IES guidelines shown below:

Workshop / Tools / Crafts: 40-100 fc
Board Games / Cards: 20-40 fc
Dining: 5-10 fc

Kitchen: 30-50 fc
Computer: 15-30 fc
Media: 2-20 fc

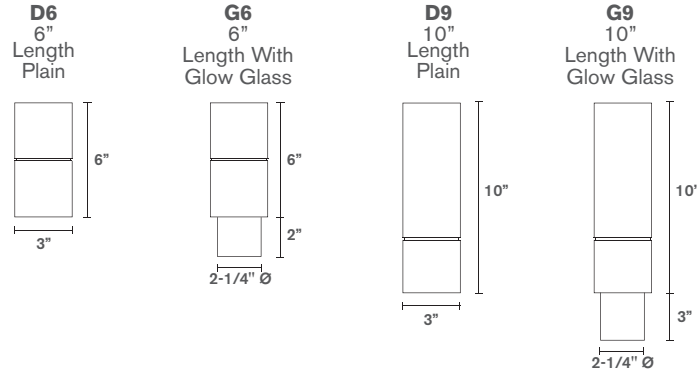
Reading: 20-50 fc
Dressing: 10-30 fc
Corridors / Circulation: 3-5 fc

Cylinder 3 Classic White Pendant

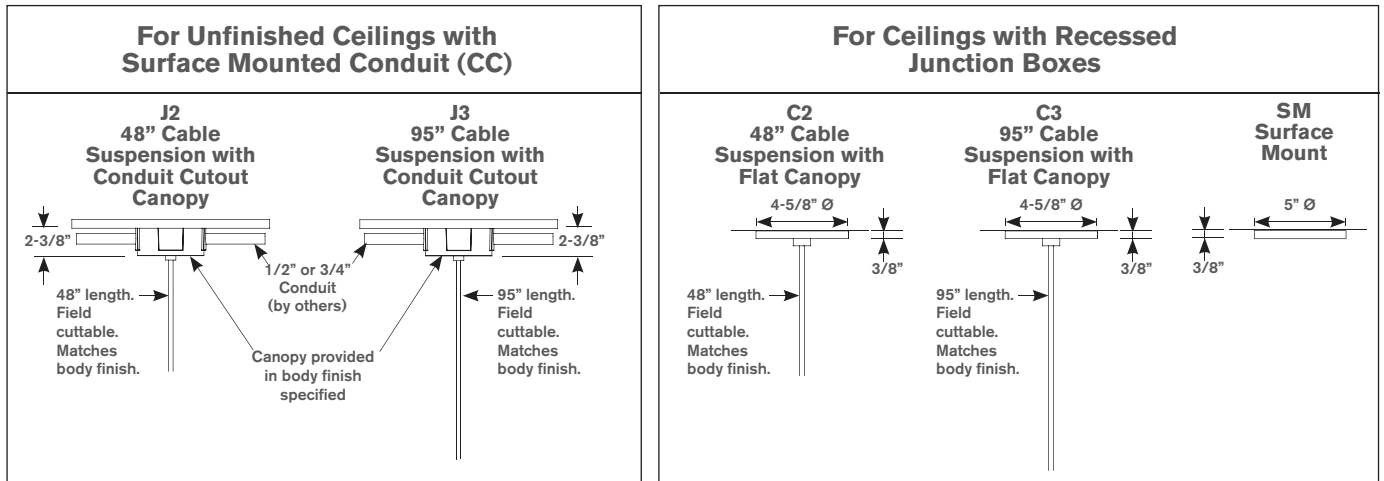


Six Easy Steps to Specify

1 Select Pendant Type



2 Select Installation Type



3 Select White Light

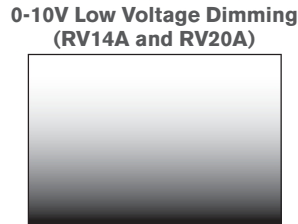


2700 Kelvin
Similar to Incandescent

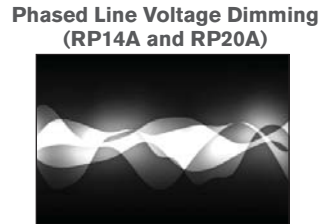


3000 Kelvin
Similar to Halogen

4 Select Dimming Control Type - Smooth Dimming to 1% Standard



Compatible with 0-10V Controls



Compatible with Forward and Reverse Phase Dimmers

Cylinder 3







Classic White Pendant



5 Select Glass Lens

Solite (S) provided standard	Frosted (F)
Light diffusion with the most efficiency	Medium diffusion for softer light output, approximately 12% less light output
	

6 Select Fixture Finish

White (WH) provided standard	Black (BL)	Statuary Bronze (BZ)	Metalized Grey (GR)	Conduit Silver (CS)	Satin Nickle (SN)
					

How to Specify

Manufacturer	Light Fixture Type			LED + Control		Options					Revision
USAI	3CY					R	U				00
USAI	Family	Pendant Type	Installation	LED Color	Wattage Driver	Shape	Style	Beam Spread	Lens	Finish	Version
USAI Lighting	3CY Cylinder 3	D6 Cylinder, 6" length, 14W G6 Glow Glass Cylinder, 6" length, 6" length, 14W	SM Surface Mount C2 Cable Suspension, 48" length, Flat Canopy C3 Cable Suspension, 95" length, Flat Canopy J2 Cable Suspension, 48" length, Conduit Cutout Canopy J3 Cable Suspension, 95" length, Conduit Cutout Canopy	C27 Warm White 2700K High 90+ CRI C30 Neutral White 3000K High 90+ CRI	RP14A Remote Phase Dimming Driver, to 1% 120V only, 14W RV14A Remote 0-10V Dimming Driver, to 1% 120V-277V, 14W	R Round	U One Piece Unit	I 50° Beam (D6 and D9 Cylinder only) F 35° Beam (G6 and G9 Glow Glass Cylinders only)	S Solite Textured Glass (provided standard) F Frosted Glass	WH White (provided standard) BL Black BZ Statuary Bronze GR Metalized Grey CS Conduit Silver SN Satin Nickle	00
		D9 Cylinder, 10" length, 20W G9 Glow Glass Cylinder, 10" length, 20W			RP20A Remote Phase Dimming Driver, to 1% 120V only, 20W RV20A Remote 0-10V Dimming Driver, to 1% 120V-277V, 20W						

Cylinder 3 Classic White Pendant



CYLINDER 3 PENDANT SPECIFICATIONS

FIELD REPLACEABLE LED LIGHT ENGINE

Light engine is serviceable without tools. All USAI Lighting light engines feature industry-leading color consistency.

FIELD REPLACEABLE DRIVER

Driver complies with IEEE C62.41 surge protection. Some on-time delay may be experienced depending on control system used.

REMOTE LOCATION DRIVER

6" long cylinder requires remote power supply. Remote power supplies require enclosures by others that meet local codes and must be located in an accessible service panel within 100ft of the light fixture; see table below for coordination of enclosure sizes. All dimming drivers comply with IEEE C62.41 surge protection.

BODY

3"Ø extruded aluminum body available in 6" or 10" length. Cylinder 3 body and cap are available in a variety of powder coated paint finishes or an anodized satin nickel finish.

FRONT CAP

Standard cylinder is provided with threaded extruded aluminum assembly retaining 1" regress solite lens in front cap finish specified. If decorative opal Glow glass option is specified, the assembly is fitted with a decorative opal glass cylinder available in 2" or 3" length.

MOUNTING

Hardware included for mounting to 4" octagonal junction box.

CABLE MOUNT

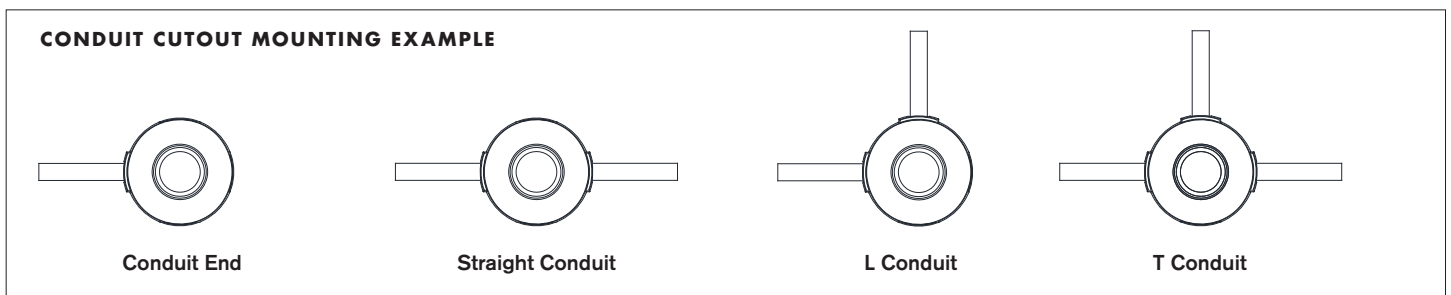
1/4"Ø or 7/16" Ø braided cable, field cuttable, and 4-5/8"Ø x 3/8" deep round canopy are provided in finish to match cylinder body finish specified. Select from two field cuttable cable lengths in ordering table. Please contact factory if a different power cable and canopy finish is desired.

RECESSED JBOX CANOPY:

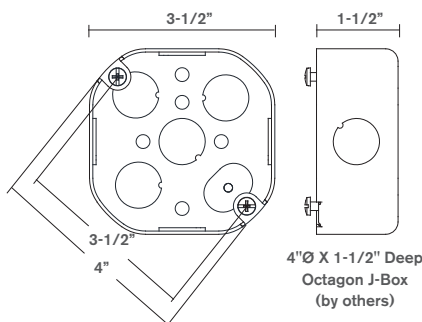
If recessed J-box canopy style is specified (C2, C3 options) 5" Ø or 4-5/8" Ø round x 3/8" deep canopy is provided for mounting to recessed mounted junction box. Recessed jbox canopy is provided in matching finish per fixture body finish specification.

CONDUIT CUTOUT CANOPY:

If "J" canopy is specified, 5-13/16" Ø round x 2-3/8" deep canopy is provided for mounting to standard 4" octagonal surface mounted junction box. Conduit cutout canopy has 4 keyslots, one in each side, and ships with three conduit cutout keys and three solid cover keys which are field interchangeable and can be configured to accommodate any ceiling layout using 1/2" or 3/4" conduit. Conduit cutout canopy is provided in matching finish per fixture body finish specification.



4" OCTAGONAL JUNCTION BOX DETAIL



KEY COVER DETAIL

SOLID COVER KEY



3 provided with each Conduit Cutout Canopy

CONDUIT CUTOUT KEY



3 provided with each Conduit Cutout Canopy

Cylinder 3 Classic White Pendant

CYLINDER 3 PENDANT SPECIFICATIONS

FIXTURE WEIGHT

Cylinder 3 weighs 3 lbs (not including rigid pendant stem accessory).

LISTINGS

Dry/Damp. NRTL/CSA-US tested to UL standards. IBEW union made.



NOTES

- Ambient temperatures at fixture location should not exceed 40°C during normal operation.
- For interior use only

PHOTOMETRICS

Consult factory or website for IES files. Tested in accordance with IESNA LM79-2008.